

MIRO SAFE Switch SSO 24 VDC - 4 semiconductor outputs

with 4 safety semiconductor outputs
Spring clamp plug-in terminals

Image

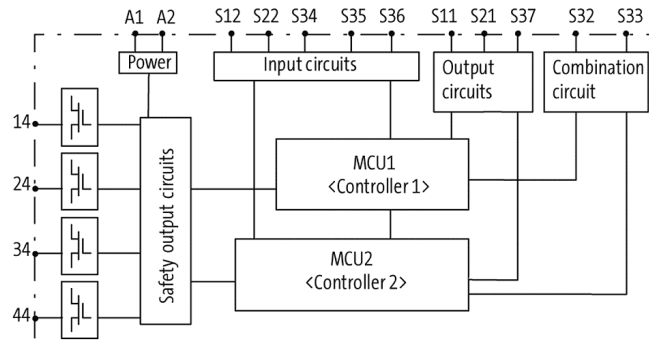
Vicarious picture

Technical Data	
Achievable safety category	to 4/PL e (EN ISO 13849-1)/(SIL3 (EN 61508)
Input	
Input voltage	24 V DC -20/+25 % approx. 10 mA
Output	
Switching voltage	max. 24 V DC
Total current	max. 2.7 A
General data	
Temperature range	-25...+55 °C
Mounting method	DIN-rail mountable (EN 60715)
Dimensions H x W x D	110.5 x 22.5 x 114.5 mm
Commercial data	
Net weight	120
Net weight	120
Weight unit	gram
Basic unit	pc.
Customs tariff number	85364900
Unit (piece)	1
Limited value	1
Accessories	
	Art.-No.
MIRO SAFE double spring clamp pluggable accessories	3000-33010-000000
MIRO SAFE Label plate (Set 5St) accessories	3000-33030-000000

All data on this data sheet was compiled carefully.

Liability regarding correctness, completeness, and actuality is limited to gross negligence. Created: 06/12

Circuit diagram



Dimension drawing

