

**RM 131/24 output relay IN: 24 VDC - OUT: 250 VAC/DC / 5 A**

1 relay; 3 N/O contacts/1 N/C contact  
5 A  
24 V DC  
with positive displacement contacts

**Image**

Vicarious picture

**Switching capacity according to (EN 60947)**

24 V	AC12;5 A	AC15; 4 A	DC13; 2 A
110 V	AC12;5 A	AC15; 3 A	DC13; 0.4 A
230 V	AC12;5 A	AC15; 2 A	DC13; 0.2 A

**Input**

Input voltage	24 V DC $\pm 10\%$
	17 mA
LED display	LED (red)

**Output**

Switching voltage	max. 250 V AC/DC
Switching current	max. 5 A
Min. load current	300 mA
Breaking capacity (voltage dependent)	max. 1000 VA/50 W
Switching frequency	max. 1 Hz
Contact material	Ag hv; Ag Sn O <sub>2</sub>
Energize/release/contact bounce time	15/15/2 ms

**General data**

Mech./ elect. life	$1 \times 10^6$ /load dependent
Test isolation voltage	2.5 kV
Temperature range	-20...+50 °C
Mounting method	DIN-rail mountable TH35 or G32 (EN 60715)
Dimensions H x W x D	75 x 22.5 x 102 mm

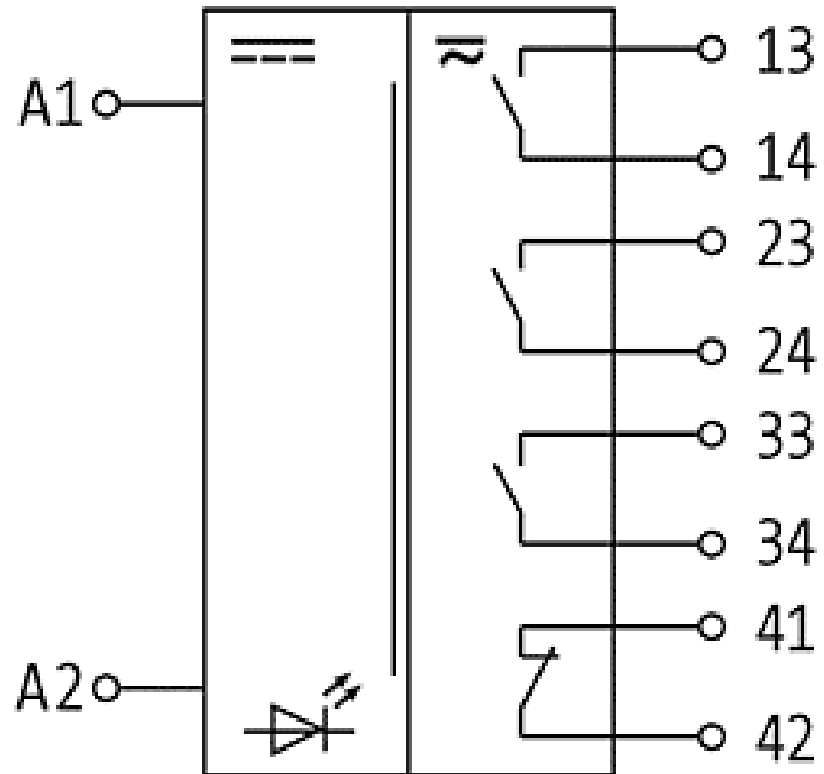
All data on this data sheet was compiled carefully.

Liability regarding correctness, completeness, and actuality is limited to gross negligence. Created: 06/12

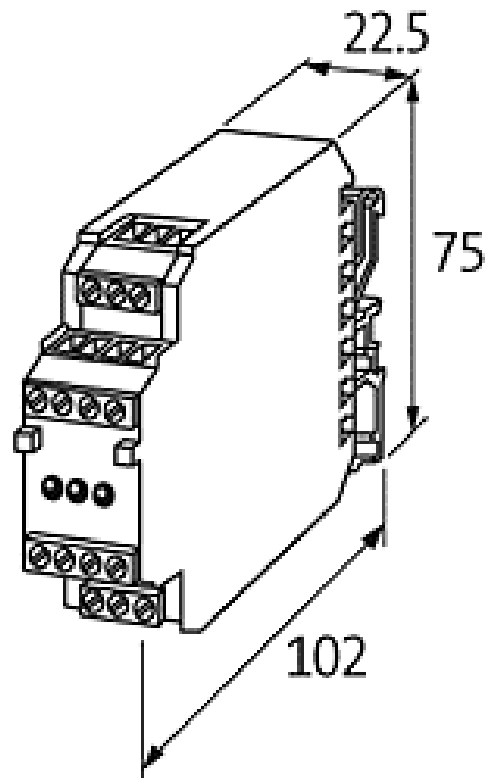
**Commercial data**

Net weight	129
Net weight	129
Weight unit	gram
Basic unit	pc.
Customs tariff number	85364900
Unit (piece)	1
Limited value	1

## Circuit diagram



## Dimension drawing



Representante oficial de:



[Argentina – Uruguay – Paraguay – Bolivia – Colombia – y Perú.]



Calle 49 N° 5764 - Villa Ballester (B1653AOX) - Prov. de Buenos Aires - ARGENTINA  
Tel: (+54 11) 4768-4242 / Fax: (+54 11) 4849-1212  
Mail: [ventas@nakase.com.ar](mailto:ventas@nakase.com.ar) / Web: [www.nakase.com.ar](http://www.nakase.com.ar)

