

SVS valve form A 18mm field-wireable Replaced Art.-No. 3129150

Form A (18 mm)
24 V AC/DC
LED and switching amplifier
PG 9

Image



Vicarious picture

Approvals



Form

29501

Technical Data

Operating voltage	24 V DC $\pm 25\%$
Operating current per contact (40 °C)	max. 2 A (short-circuit protected)
Clamping range (cable diameter)	6...8 mm
Control voltage	ON: 10...30 V DC; OFF: 0...6 V DC (IN)
Compression gland	PG 9; (PG11 and NPT 1/2" on request)
Terminals	4 mm ² single core, with ferrule end 1.5 mm ²
Protection	IP65 when plugged and screwed down (EN 60529), with gland
Temperature range	-20...+60 °C

Commercial data

Net weight	39
Net weight	39
Weight unit	gram
Basic unit	pc.
Customs tariff number	85369010
Unit (piece)	1
Limited value	1

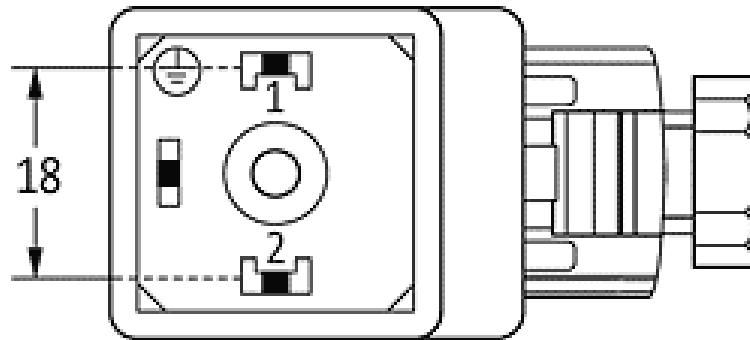
Comments

Plastic housings with good resistance against chemicals and oils.
The resistance to aggressive media should be individually tested for your application. Further details on request.

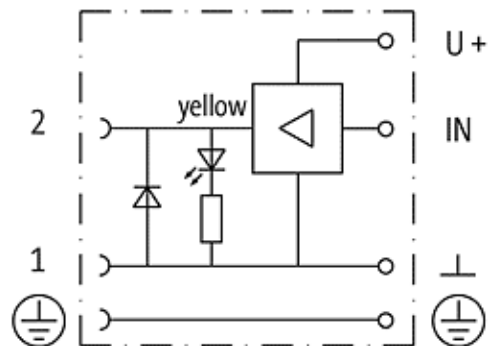
All data on this data sheet was compiled carefully.

Liability regarding correctness, completeness, and actuality is limited to gross negligence. Created: 06/12

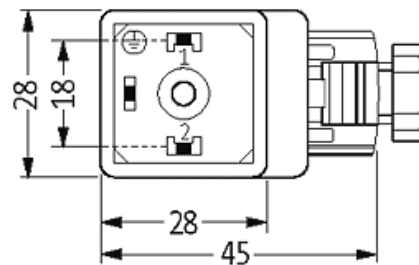
Contact layout



Circuit diagram



Dimension drawing



Height: 41 mm

Representante oficial de:



[Argentina – Uruguay – Paraguay – Bolivia – Colombia – y Perú.]



Calle 49 N° 5764 - Villa Ballester (B1653AOX) - Prov. de Buenos Aires - ARGENTINA
Tel: (+54 11) 4768-4242 / Fax: (+54 11) 4849-1212
Mail: ventas@nakase.com.ar / Web: www.nakase.com.ar

