

**SVS valve form A 18mm field-wireable Replaced Art.-No. 296036**

Form A (18 mm) for pressure switch  
 24 V AC/DC  
 LED green (1) yellow (3)  
 PG 9

**Image**

Vicarious picture

**Approvals****Form**

29461

**Technical Data**

Operating voltage	24 V AC $\pm 20\%$ / DC $\pm 25\%$
Operating current per contact (40 °C)	max. 4 A
Clamping range (cable diameter)	6...8 mm
Compression gland	PG 9; (PG11 and NPT 1/2" on request)
Terminals	4 mm <sup>2</sup> single core, with ferrule end 1.5 mm <sup>2</sup>
Protection	IP65 when plugged and screwed down (EN 60529), with gland
Temperature range	-20...+60 °C

**Commercial data**

Net weight	34
Net weight	34
Weight unit	gram
Basic unit	pc.
Customs tariff number	85366990
Unit (piece)	1
Limited value	1

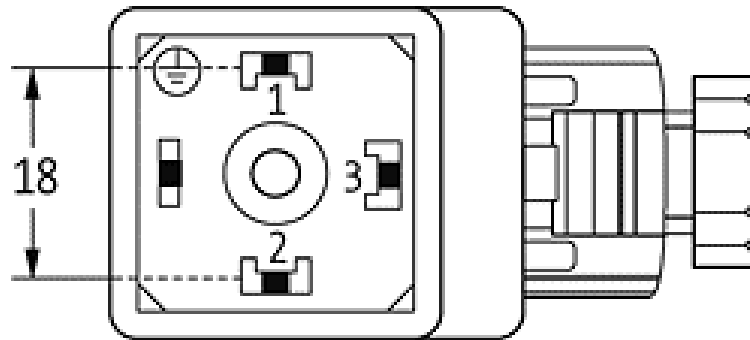
**Comments**

Plastic housings with good resistance against chemicals and oils.  
 The resistance to aggressive media should be individually tested for your application. Further details on request.

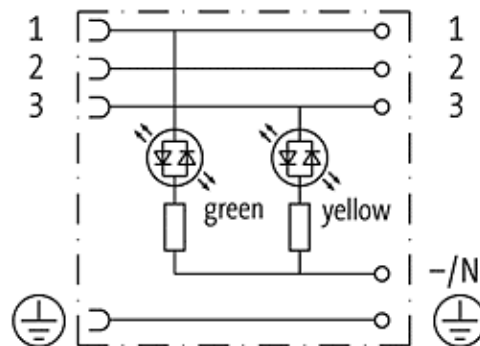
All data on this data sheet was compiled carefully.

Liability regarding correctness, completeness, and actuality is limited to gross negligence. Created: 06/12

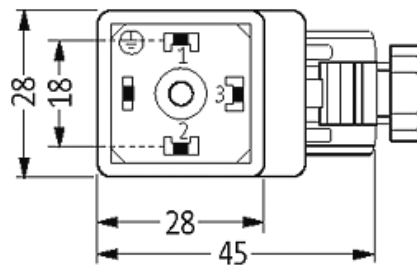
## Contact layout



## Circuit diagram



## Dimension drawing



Height: 41 mm

Representante oficial de:



[Argentina – Uruguay – Paraguay – Bolivia – Colombia – y Perú.]



Calle 49 N° 5764 - Villa Ballester (B1653AOX) - Prov. de Buenos Aires - ARGENTINA  
Tel: (+54 11) 4768-4242 / Fax: (+54 11) 4849-1212  
Mail: [ventas@nakase.com.ar](mailto:ventas@nakase.com.ar) / Web: [www.nakase.com.ar](http://www.nakase.com.ar)

