

SVS valve form A 18mm field-wireable Replaced Art.-No. 29805

Form A (18 mm) for pressure switch
 24...230 V AC/DC
 LED yellow (3)
 metric

Image



Vicarious picture

Approvals



Form

29361

Technical Data

Operating voltage	24...230 V AC/DC
Operating current per contact (40 °C)	max. 4 A
Clamping range (cable diameter)	5...10 mm
Compression gland	M16 × 1.5 mm
Terminals	4 mm ² single core, with ferrule end 1.5 mm ²
Protection	IP65 when plugged and screwed down (EN 60529), with gland
Temperature range	-20...+60 °C

Commercial data

Net weight	40
Net weight	40
Weight unit	gram
Basic unit	pc.
Customs tariff number	85366990
Unit (piece)	1
Limited value	1

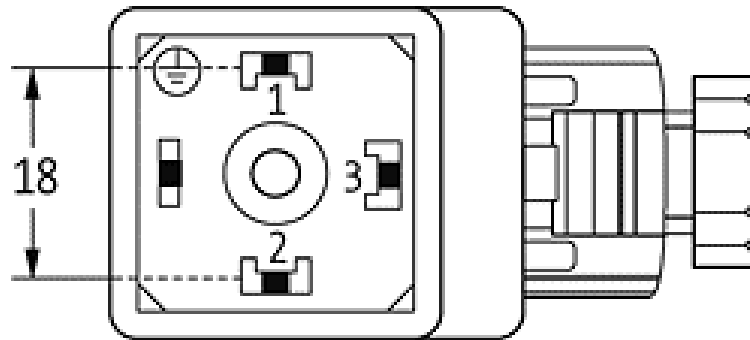
Comments

Plastic housings with good resistance against chemicals and oils.
 The resistance to aggressive media should be individually tested for your application. Further details on request.

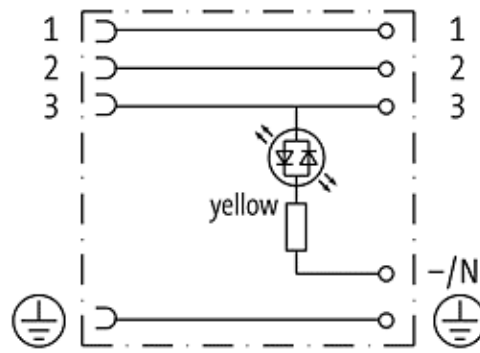
All data on this data sheet was compiled carefully.

Liability regarding correctness, completeness, and actuality is limited to gross negligence. Created: 06/12

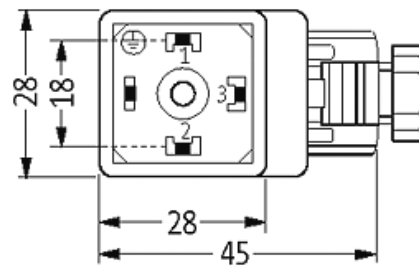
Contact layout



Circuit diagram



Dimension drawing



Height: 41 mm

Representante oficial de:



[Argentina – Uruguay – Paraguay – Bolivia – Colombia – y Perú.]



Calle 49 N° 5764 - Villa Ballester (B1653AOX) - Prov. de Buenos Aires - ARGENTINA
Tel: (+54 11) 4768-4242 / Fax: (+54 11) 4849-1212
Mail: ventas@nakase.com.ar / Web: www.nakase.com.ar

