

SVS valve form A 18mm field-wireable Replaced Art.-No. 29301

Form A (18 mm) for pressure switch
 24...230 V AC/DC
 LED red (2) green (1)
 PG 9

Image

Vicarious picture

Approvals**Form**

29341

Technical Data

Operating voltage	24...230 V AC/DC
LED display	red (2) green (1)
Current consumption	24 V: approx. 40 mA; 110 V: approx. 3 mA; 230 V: approx. 6 mA
Operating current per contact (40 °C)	max. 4 A
Compression gland	PG 9; (PG11 and NPT 1/2" on request)
Clamping range (cable diameter)	6...8 mm
Terminals	4 mm ² single core, with ferrule end 1.5 mm ²
Plug color	Black housing, transparent flip top
Protection	IP65 when plugged and screwed down (EN 60529), with gland
Temperature range	-20...+60 °C

Commercial data

Net weight	34
Net weight	34
Weight unit	gram
Basic unit	pc.
Customs tariff number	85366990
Unit (piece)	1
Limited value	1

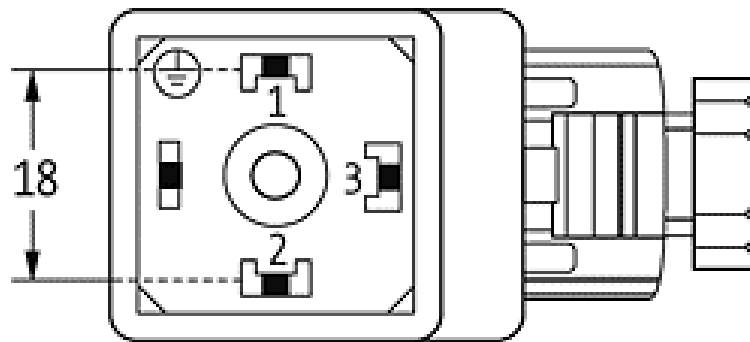
Comments

Plastic housings with good resistance against chemicals and oils.
 The resistance to aggressive media should be individually tested for your application. Further details on request.

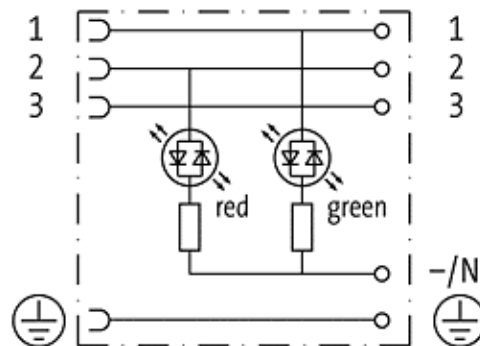
All data on this data sheet was compiled carefully.

Liability regarding correctness, completeness, and actuality is limited to gross negligence. Created: 06/12

Contact layout



Circuit diagram



Representante oficial de:



[Argentina – Uruguay – Paraguay – Bolivia – Colombia – y Perú.]



Calle 49 N° 5764 - Villa Ballester (B1653AOX) - Prov. de Buenos Aires - ARGENTINA
Tel: (+54 11) 4768-4242 / Fax: (+54 11) 4849-1212
Mail: ventas@nakase.com.ar / Web: www.nakase.com.ar

