

**SVS valve form A 18mm field-wireable Replaced Art.-No. 29801**

Form A (18 mm) for pressure switch  
 24...230 V AC/DC  
 LED red (2) green (1)  
 metric

**Image**

Vicarious picture

**Approvals****Form**

29321

**Technical Data**

Operating voltage	24...230 V AC/DC
LED display	red (2) green (1)
Current consumption	24 V: approx. 40 mA; 110 V: approx. 3 mA; 230 V: approx. 6 mA
Operating current per contact (40 °C)	max. 4 A
Compression gland	M16 × 1.5 mm
Clamping range (cable diameter)	5...10 mm
Terminals	4 mm <sup>2</sup> single core, with ferrule end 1.5 mm <sup>2</sup>
Plug color	Black housing, transparent flip top
Protection	IP65 when plugged and screwed down (EN 60529), with gland
Temperature range	-20...+60 °C

**Commercial data**

Net weight	40
Net weight	40
Weight unit	gram
Basic unit	pc.
Customs tariff number	85366990
Unit (piece)	1
Limited value	1

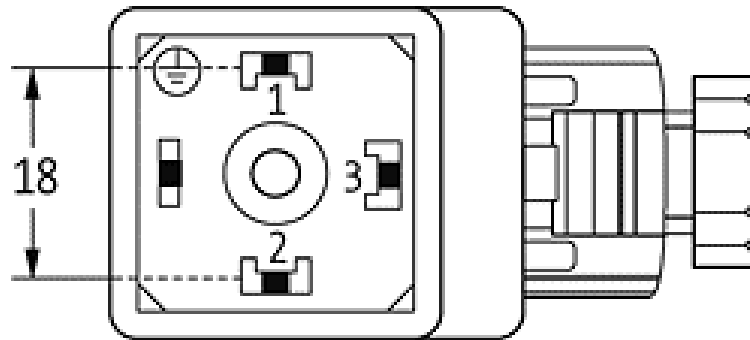
**Comments**

Plastic housings with good resistance against chemicals and oils.  
 The resistance to aggressive media should be individually tested for your application. Further details on request.

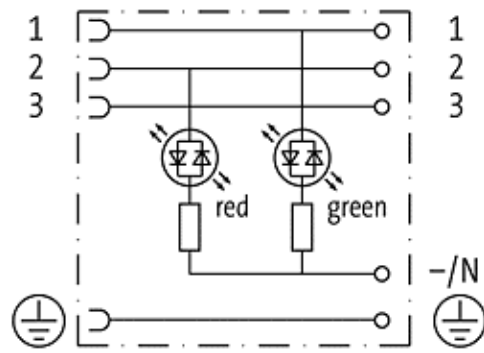
All data on this data sheet was compiled carefully.

Liability regarding correctness, completeness, and actuality is limited to gross negligence. Created: 06/12

## Contact layout



## Circuit diagram



Representante oficial de:



[Argentina – Uruguay – Paraguay – Bolivia – Colombia – y Perú.]



Calle 49 N° 5764 - Villa Ballester (B1653AOX) - Prov. de Buenos Aires - ARGENTINA  
Tel: (+54 11) 4768-4242 / Fax: (+54 11) 4849-1212  
Mail: [ventas@nakase.com.ar](mailto:ventas@nakase.com.ar) / Web: [www.nakase.com.ar](http://www.nakase.com.ar)

