

MIRO 6,2MM Opto-coupler module with isolation link IN: 53 VDC - OUT: 250 VAC / 0,5A

Triac 0.5 A
24 V DC
Screw terminals

Image


Vicarious picture

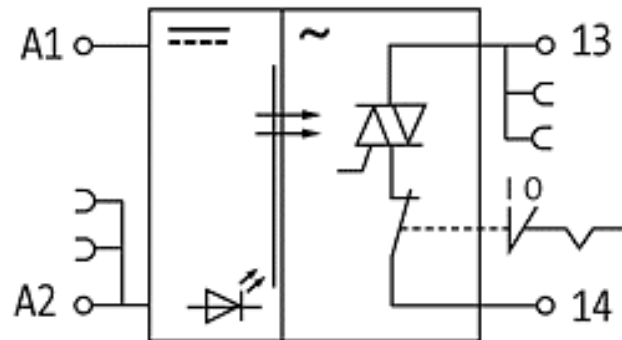
Input	
LED display	LED (yellow)
Voltage range ON	10...53 V DC
Voltage range OFF	0...5 V DC
Control current	7 mA
Output	
Switching current	0.1 mA...0.5 A
Switching voltage	24...250 V AC
Saturation voltage (across output)	<= 1.5 V AC
Leakage current (when output is open)	<= 0.3 mA
Switching time ON/OFF	10/10 ms
Switching frequency	max. 20/1 Hz (resist./ind.)
General data	
Test isolation voltage	2.5 kV
Temperature range	-20...+60 °C
Housing	Plastic black, flame retardant
Mounting method	DIN-rail mountable (EN 60715)
Dimensions H x W x D	78 x 6.2 x 65 mm
Commercial data	
Net weight	20
Net weight	20
Weight unit	gram
Basic unit	pc.
Customs tariff number	85414090
Unit (piece)	1
Limited value	1

All data on this data sheet was compiled carefully.

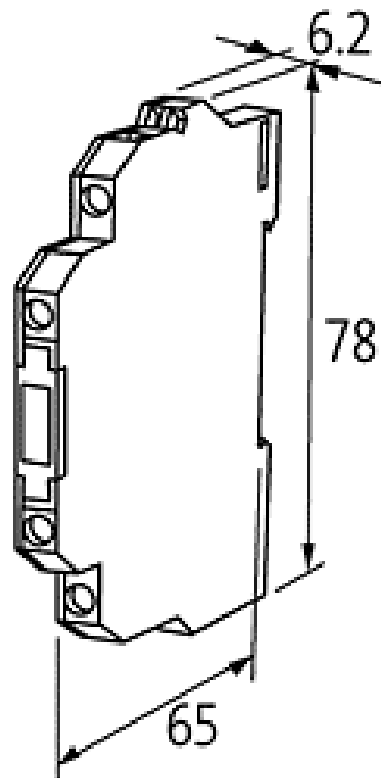
Liability regarding correctness, completeness, and actuality is limited to gross negligence. Created: 06/12

Accessories		Art.-No.
	Wiring accessorie plug link	90961
	Wiring accessorie red spacing 6,2 mm	90976
	Wiring accessorie blue spacing 6,2 mm	90975
	Wiring accessorie end cap blue	90980
	Wiring accessorie 16 pole cross-section: 1 mm ²	90977
	Control systems Label plate Miro	90901

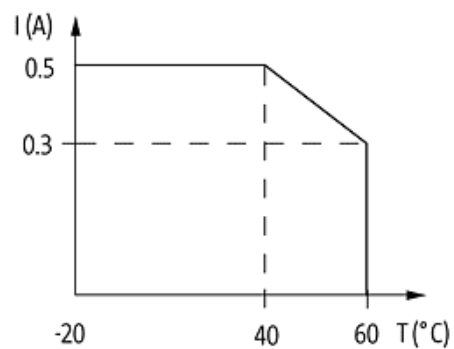
Circuit diagram



Dimension drawing



De-rating curve



Representante oficial de:



[Argentina – Uruguay – Paraguay – Bolivia – Colombia – y Perú.]



Calle 49 N° 5764 - Villa Ballester (B1653AOX) - Prov. de Buenos Aires - ARGENTINA
Tel: (+54 11) 4768-4242 / Fax: (+54 11) 4849-1212
Mail: ventas@nakase.com.ar / Web: www.nakase.com.ar

