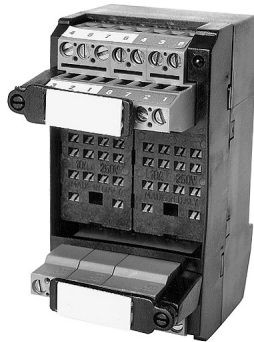


MKS-J 67035 24 VDC Relay socket modules IN: 24 VDC - OUT: 250 VAC / 110 DC / 3 A

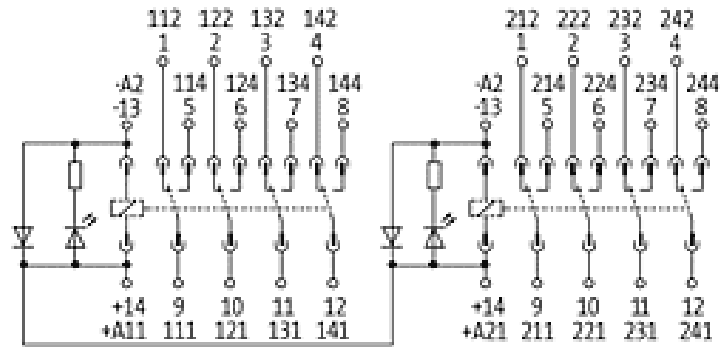
for industrial relays
4 C/O contacts
24 V DC, minus bridged (coil)
Diode + LED

Image

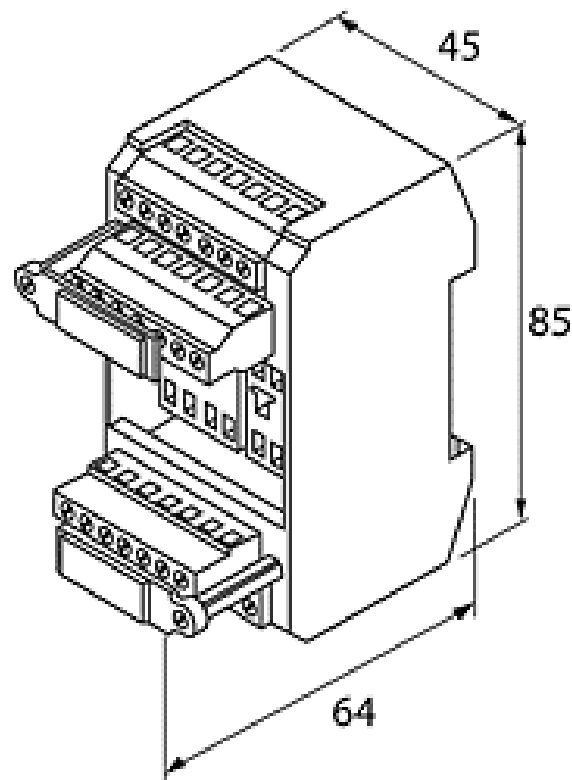
Vicarious picture

Technical Data		
Switching voltage	max. 250 V AC / 110 V DC	
Switching current	max. 3 A	
General data		
Connection	Screw terminals max. 4 mm ²	
Test isolation voltage	2.5 kV	
Mounting method	DIN-rail mountable (EN 60715)	
Dimensions H x W x D	85 x 45 x 64 mm	
Commercial data		
Net weight	129	
Net weight	129	
Weight unit	gram	
Basic unit	pc.	
Customs tariff number	85366990	
Unit (piece)	1	
Limited value	1	
Accessories		
	IR 24 Plug-in relay IN: 24 VDC - OUT: 250 VAC / DC / 7 A	Art.-No. 61402
	Holding clip for Industrial relay HF 143	61406

Circuit diagram



Dimension drawing



Representante oficial de:



[Argentina – Uruguay – Paraguay – Bolivia – Colombia – y Perú.]



Calle 49 N° 5764 - Villa Ballester (B1653AOX) - Prov. de Buenos Aires - ARGENTINA
Tel: (+54 11) 4768-4242 / Fax: (+54 11) 4849-1212
Mail: ventas@nakase.com.ar / Web: www.nakase.com.ar

