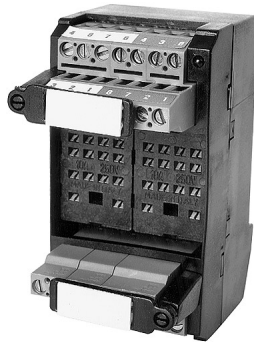


MKS - J 24/LED 24 Relay socket modules IN: 24 VDC - OUT: 250 VAC/ 110 DC / 2 A

for industrial relays
4 C/O contacts
24 V DC
Diode + LED

Image

Vicarious picture

Technical Data

Switching voltage	max. 250 V AC/110 V DC
Switching current	max. 3 A

General data

Connection	Screw terminals max. 4 mm ²
Test isolation voltage	2.5 kV
Mounting method	DIN-rail mountable (EN 60715)
Dimensions H x W x D	85 x 45 x 64 mm

Commercial data

Net weight	122
Net weight	122
Weight unit	gram
Basic unit	pc.
Customs tariff number	85366990
Unit (piece)	1
Limited value	1

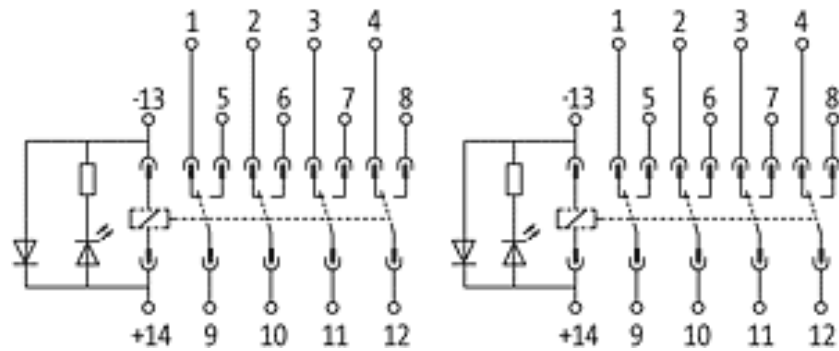
Accessories

	Art.-No.
IR 24 Plug-in relay IN: 24 VDC - OUT: 250 VAC/DC / 7 A	61402
Holding clip for Industrial relay HF 143	61406

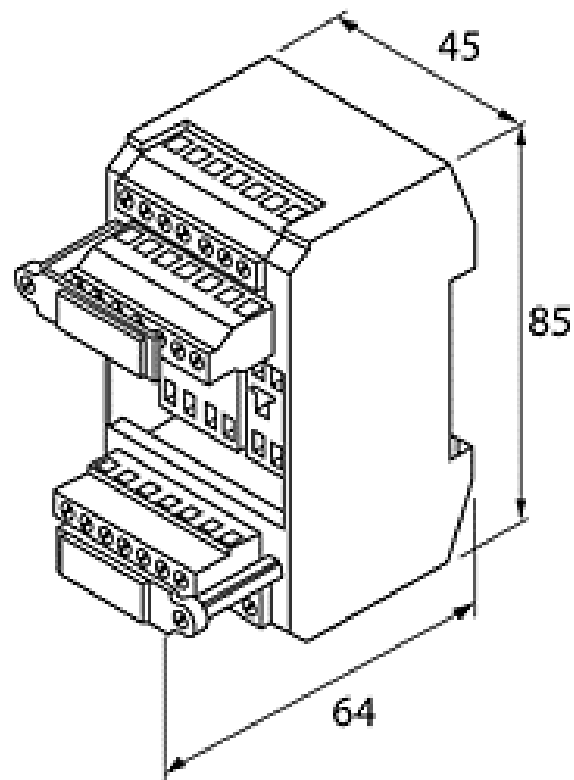
All data on this data sheet was compiled carefully.

Liability regarding correctness, completeness, and actuality is limited to gross negligence. Created: 06/12

Circuit diagram



Dimension drawing



Representante oficial de:



[Argentina – Uruguay – Paraguay – Bolivia – Colombia – y Perú.]



Calle 49 N° 5764 - Villa Ballester (B1653AOX) - Prov. de Buenos Aires - ARGENTINA
Tel: (+54 11) 4768-4242 / Fax: (+54 11) 4849-1212
Mail: ventas@nakase.com.ar / Web: www.nakase.com.ar

