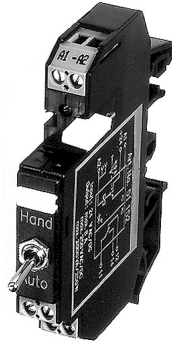


RMMDUH-ST 11/24 output relay with toggle switch IN: 24 VAC/DC - OUT: 250 VAC/DC / 8 A

1 relay; 1 C/O contact
 24 V AC/DC
 with minus plug link

Image

Vicarious picture

Switching capacity according to (EN 60947)

24 V	AC12;8 A	AC15; 3 A	DC13; 2.5 A
110 V	AC12;8 A	AC15; 3 A	DC13; 0.4 A
230 V	AC12;8 A	AC15; 3 A	DC13; 0.3 A

Input

Input voltage	24 V AC/DC ±10 %
	16 mA

Plug link	Art.-No. 90960 (included)
-----------	---------------------------

LED display	LED (red)
-------------	-----------

Output

Switching voltage	max. 250 V AC/DC
Switching current	max. 8 A
Min. load current	100 mA
Breaking capacity (voltage dependent)	max. 2000 VA/240 W
Switching frequency	max. 15 Hz
Contact material	Ag Ni 0.15 hv
Energize/release/contact bounce time	10/10/2 ms

General data

Mech./ elect. life	3×10^7 /load dependent
Test isolation voltage	3 kV
Temperature range	-20...+50 °C
Mounting method	DIN-rail mountable TH35 or G32 (EN 60715)
Dimensions H × W × D	82 x 12 x 82 mm

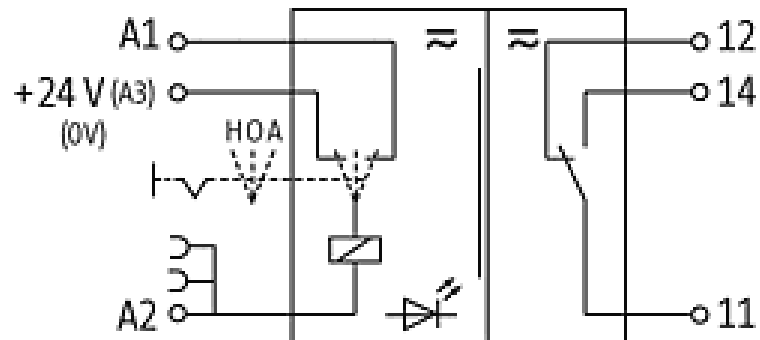
All data on this data sheet was compiled carefully.

Liability regarding correctness, completeness, and actuality is limited to gross negligence. Created: 06/12

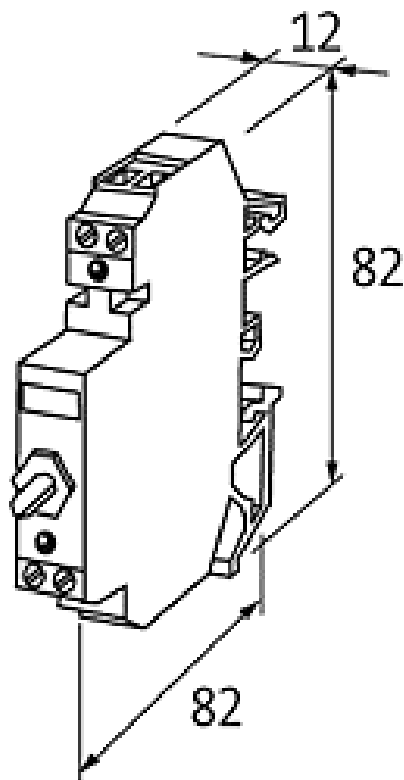
Commercial data

Net weight	53
Net weight	53
Weight unit	gram
Basic unit	pc.
Customs tariff number	85364900
Unit (piece)	1
Limited value	1

Circuit diagram



Dimension drawing



Representante oficial de:



[Argentina – Uruguay – Paraguay – Bolivia – Colombia – y Perú.]



Calle 49 N° 5764 - Villa Ballester (B1653AOX) - Prov. de Buenos Aires - ARGENTINA
Tel: (+54 11) 4768-4242 / Fax: (+54 11) 4849-1212
Mail: ventas@nakase.com.ar / Web: www.nakase.com.ar

