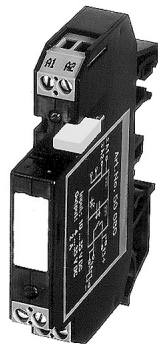


RMMD 1S+1\ /24VDC input relay IN: 24 VDC - OUT: 250 VAC/DC / 3 A

Input relay
 1 relay; 1 N/O contact/1 N/C contact
 3 A
 24 V DC

Image

- Relays
 - with minus plug link

Vicarious picture

Switching capacity according to (EN 60947)

24 V	AC12;3 A	AC15; 1 A	DC13; 0.8 A
230 V	AC12;2 A	AC15; 0.1 A	DC13; 0.01 A

Input

Input voltage	24 V DC $\pm 10\%$ max. 20 mA
Plug link	Art.-No. 90960 (included)
LED display	LED (red)

Output

Switching voltage	max. 250 V AC/DC
Switching current	max. 3 A
Min. load current	1 mA
Breaking capacity (voltage dependent)	max. 500 VA/180 W
Switching frequency	max. 10 Hz
Contact material	Ag hv
Energize/release/contact bounce time	6/3/2 ms

General data

Mech./ elect. life	2×10^7 /load dependent
Test isolation voltage	2.5 kV
Temperature range	-20...+60 °C
Mounting method	DIN-rail mountable TH35 or G32 (EN 60715)
Dimensions H x W x D	82 x 12 x 68 mm

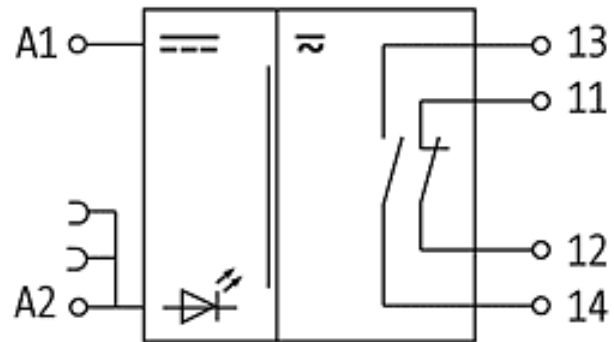
Commercial data

Net weight	41
Net weight	41
Weight unit	gram
Basic unit	pc.
Customs tariff number	85364900
Unit (piece)	1
Limited value	1

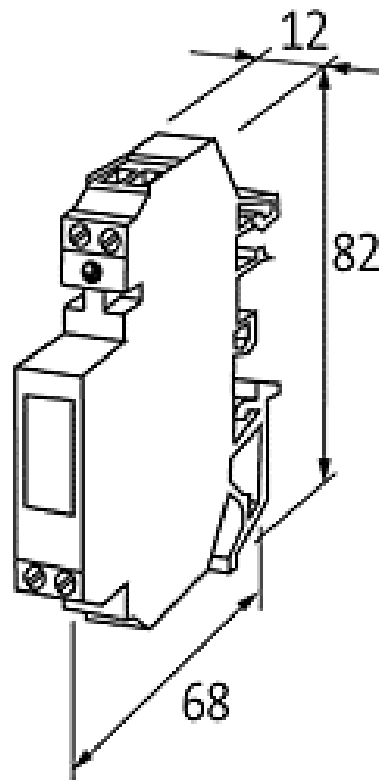
All data on this data sheet was compiled carefully.

Liability regarding correctness, completeness, and actuality is limited to gross negligence. Created: 06/12

Circuit diagram



Dimension drawing



Representante oficial de:



[Argentina – Uruguay – Paraguay – Bolivia – Colombia – y Perú.]



Calle 49 N° 5764 - Villa Ballester (B1653AOX) - Prov. de Buenos Aires - ARGENTINA
Tel: (+54 11) 4768-4242 / Fax: (+54 11) 4849-1212
Mail: ventas@nakase.com.ar / Web: www.nakase.com.ar

