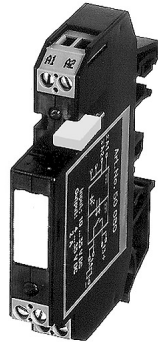


RMMDUE 11/230 V AC input relay IN: 230 VAC/DC - OUT: 250 VAC/DC / 5 A

1 relay; 1 C/O contact
5 A
230 V AC

Image

- Relays
- with minus plug link

Vicarious picture

Switching capacity according to (EN 60947)

24 V	AC12;5 A	AC15; 3 A	DC13; 1.5 A
110 V	AC12;5 A	AC15; 3 A	DC13; 0.3 A
230 V	AC12;5 A	AC15; 3 A	DC13; 0.15 A

Input

Input voltage	230 V AC +10 % -15 %
Plug link	5 mA
Plug link	Max. Externe Vorsicherung 20 A (T) in der Gebäudeinstallation
LED display	LED (yellow)

Output

Switching voltage	max. 250 V AC/DC
Switching current	max. 5 A
Min. load current	1 mA
Breaking capacity (voltage dependent)	max. 1500 VA/180 W
Switching frequency	max. 15 Hz
Contact material	Ag Ni 0.15 hv; Ag hv
Energize/release/contact bounce time	10/10/1 ms

General data

Mech./ elect. life	1 × 10 ⁸ /load dependent
Test isolation voltage	4 kV
Temperature range	-20...+60 °C
Mounting method	DIN-rail mountable TH35 or G32 (EN 60715)
Dimensions H × W × D	82 x 12 x 68 mm

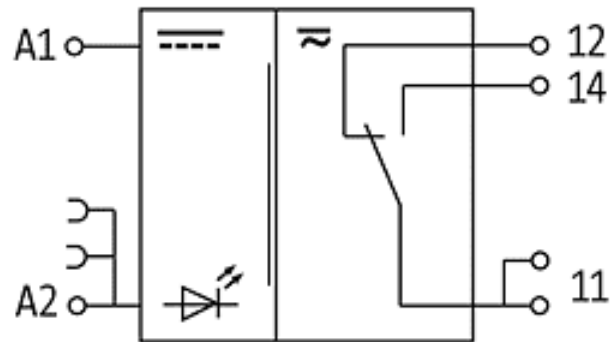
Commercial data

Net weight	2
Net weight	2
Weight unit	gram
Basic unit	pc.
Customs tariff number	85364900
Unit (piece)	1
Limited value	1

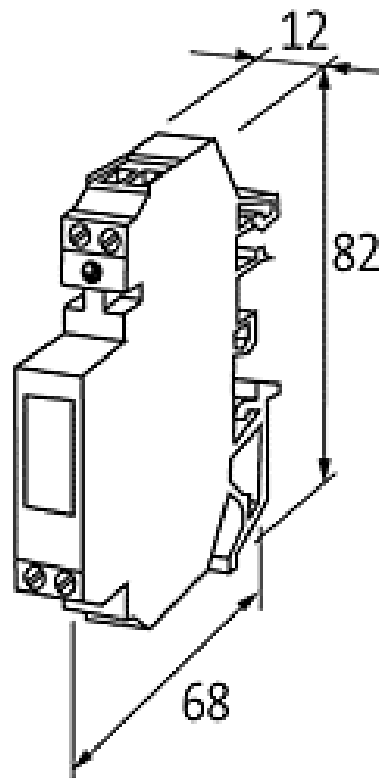
All data on this data sheet was compiled carefully.

Liability regarding correctness, completeness, and actuality is limited to gross negligence. Created: 06/12

Circuit diagram



Dimension drawing



Representante oficial de:



[Argentina – Uruguay – Paraguay – Bolivia – Colombia – y Perú.]



Calle 49 N° 5764 - Villa Ballester (B1653AOX) - Prov. de Buenos Aires - ARGENTINA
Tel: (+54 11) 4768-4242 / Fax: (+54 11) 4849-1212
Mail: ventas@nakase.com.ar / Web: www.nakase.com.ar

