

Hybrid field-bus couplers Conversion electrical-electrical (passive)

CU, CU (female/female)

Image

Vicarious picture

Technical Data

Operating voltage	24 V DC
Shielded	no
Transfer rate	to 12 Mbit/s
Field Bus Coupling (IP67)	Han-Brid®
Connection	Spring clamp terminals, 0.25 mm ² single core, 2.5 mm ² stranded

General data

Housing	Plastic black, flame retardant
Temperature range	-25...+50 °C
Cut-out	H × W: 90 × 80 mm
Dimensions H × W × D	103 x 93 x 65 mm

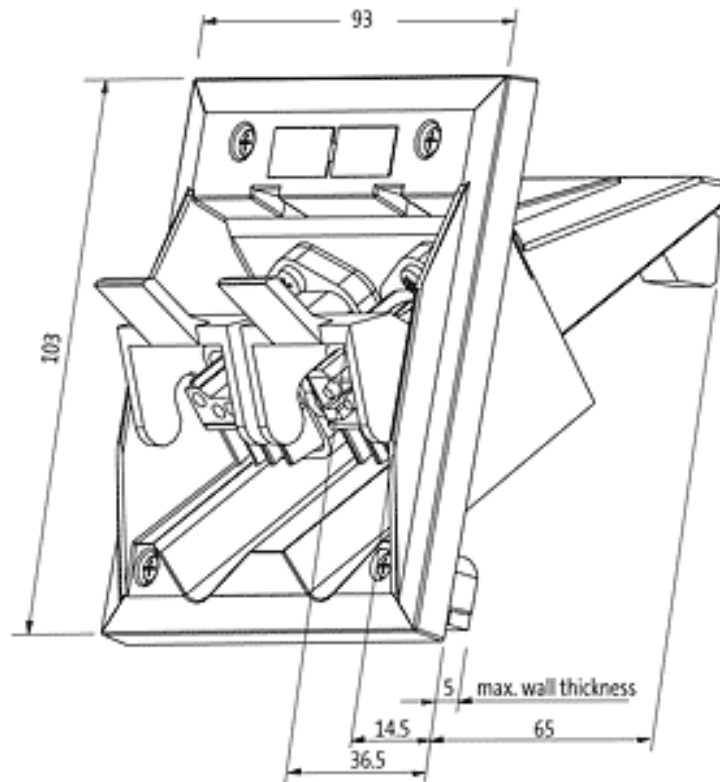
Commercial data

Net weight	170
Net weight	170
Weight unit	gram
Basic unit	pc.
Customs tariff number	85369010
Unit (piece)	1
Limited value	1

Comments

Han-Brid® a registered trademark of HARTING KGaA.

Dimension drawing



Representante oficial de:



[Argentina – Uruguay – Paraguay – Bolivia – Colombia – y Perú.]



Calle 49 N° 5764 - Villa Ballester (B1653AOX) - Prov. de Buenos Aires - ARGENTINA
Tel: (+54 11) 4768-4242 / Fax: (+54 11) 4849-1212
Mail: ventas@nakase.com.ar / Web: www.nakase.com.ar

