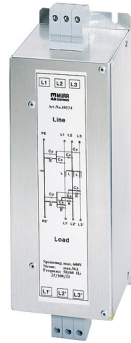


## MEF EMC-Filter 3-phase 1-stage I:50A U:3x600 VAC book-style

Current: 50 A

## Image



Vicarious picture

## Approvals



## Technical Data

Operating voltage	max. 3 × 600 V AC
Operating frequency	50...60 Hz
Overload current	18 × IN t < 0.5 ms; 1.5 × IN t < 1 min. (1 × per hour)
Consumption at 250 V AC	max. 10 mA
Test voltage	L - N: 3.3 kV DC, 2 s; L - L: 3.1 kV DC, 2 s
Connection diameter	0.5...16 mm <sup>2</sup> single core (AWG 20...5); 0.5...10 mm <sup>2</sup> multiple core (AWG 20...7)

## General data

Connection	Screw connection, touch protected
Climatic category	25/85/21 (EN 600068-1)
Mounting method	screw fixing, M5
Dimensions H × W × D	250 x 90 x 100 mm

## Description

The 3-phase and one-stage EMC filters MEF 3/1 are used in the range 0.1...30 MHz and dampen interferences found in cables from the mains, supply units and control systems. They are suitable for TN-C- and IT mains. The best results are obtained with short connection cables (suggestion: earth connection < 10 cm) of the largest possible cross-section. The EMC filters are bi-directional. They reduce symmetrical and asymmetrical interferences that regularly appear with electronically controlled three phase units through mains influences.

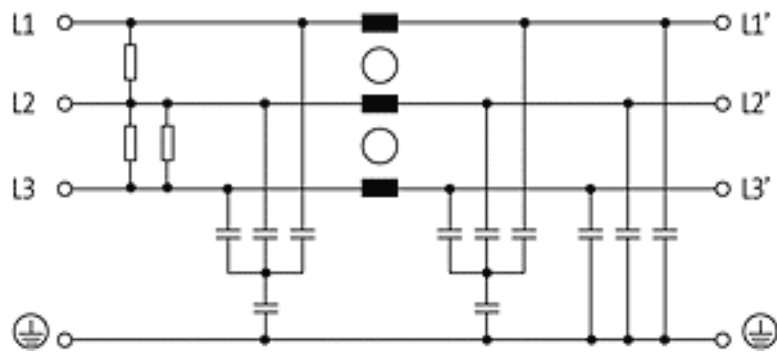
## Commercial data

Net weight	1700
Net weight	1700
Weight unit	gram
Basic unit	pc.
Customs tariff number	85363030
Unit (piece)	1
Limited value	1

All data on this data sheet was compiled carefully.

Liability regarding correctness, completeness, and actuality is limited to gross negligence. Created: 06/12

Accessories		Art.-No.
	Grounding strip 16mm <sup>2</sup> 200mm for M6 Tinned copper	4000-71001-1620006
	Grounding strip 35mm <sup>2</sup> 200mm for M6 Tinned copper	4000-71001-3520006
Comments	Attenuation curves on request.	

**Circuit diagram**

Representante oficial de:



[Argentina – Uruguay – Paraguay – Bolivia – Colombia – y Perú.]



Calle 49 N° 5764 - Villa Ballester (B1653AOX) - Prov. de Buenos Aires - ARGENTINA  
Tel: (+54 11) 4768-4242 / Fax: (+54 11) 4849-1212  
Mail: [ventas@nakase.com.ar](mailto:ventas@nakase.com.ar) / Web: [www.nakase.com.ar](http://www.nakase.com.ar)

