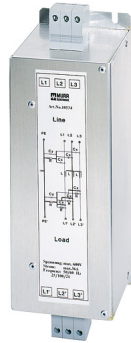


MEF EMC-Filter 3-phase 1-stage I:25A U:3x600 VAC book-style

Current: 25 A

Image

Vicarious picture

Approvals**Technical Data**

Operating voltage	max. 3 × 600 V AC
Operating frequency	50...60 Hz
Overload current	18 × IN t < 0.5 ms; 1.5 × IN t < 1 min. (1 × per hour)
Consumption at 250 V AC	max. 10 mA
Test voltage	L - N: 3.3 kV DC, 2 s; L - L: 3.1 kV DC, 2 s
Connection diameter	0.2...10 mm ² single core (AWG 24...7); 0.2...6 mm ² multiple core (AWG 24...9)

General data

Connection	Screw connection, touch protected
Climatic category	25/85/21 (EN 600068-1)
Mounting method	screw fixing, M5
Dimensions H × W × D	250 x 90 x 100 mm

Description

The 3-phase and one-stage EMC filters MEF 3/1 are used in the range 0.1...30 MHz and dampen interferences found in cables from the mains, supply units and control systems. They are suitable for TN-C- and IT mains. The best results are obtained with short connection cables (suggestion: earth connection < 10 cm) of the largest possible cross-section. The EMC filters are bi-directional. They reduce symmetrical and asymmetrical interferences that regularly appear with electronically controlled three phase units through mains influences.

Commercial data

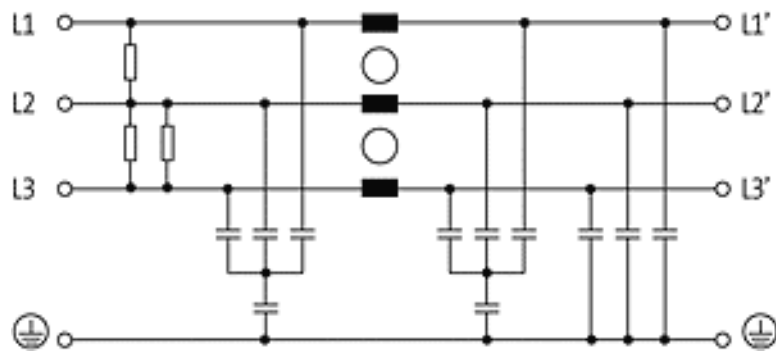
Net weight	1300
Net weight	1300
Weight unit	gram
Basic unit	pc.
Customs tariff number	85363030
Unit (piece)	1
Limited value	1

All data on this data sheet was compiled carefully.

Liability regarding correctness, completeness, and actuality is limited to gross negligence. Created: 06/12

Accessories		Art.-No.
	Grounding strip 16mm ² 200mm for M6 Tinned copper	4000-71001-1620006
	Grounding strip 35mm ² 200mm for M6 Tinned copper	4000-71001-3520006
Comments	Attenuation curves on request.	

Circuit diagram



Representante oficial de:



[Argentina – Uruguay – Paraguay – Bolivia – Colombia – y Perú.]



Calle 49 N° 5764 - Villa Ballester (B1653AOX) - Prov. de Buenos Aires - ARGENTINA
Tel: (+54 11) 4768-4242 / Fax: (+54 11) 4849-1212
Mail: ventas@nakase.com.ar / Web: www.nakase.com.ar

