

Junior Timer valve LED+VDR with cable PVC-OB 2x0,75 black drag chain 1,5m

Male straight  
24 V AC/DC with LED

### Image



Vicarious picture

### Approvals



### Form

70021

### Technical Data

Operating voltage	10...30 V AC/DC
Operating current per contact (40 °C)	max. 4 A
LED display	(yellow)
Current consumption	approx. 12 mA
Protection	IP65 and IP67 when plugged and screwed down (EN 60529)
Housing	Plastic black, flame retardant
Temperature range	-25...+85 °C, depending on cable quality

### Cable

No./diameter of wires	2 × 0.75 mm <sup>2</sup>
Wire isolation	PVC (br, bl)
C-track properties	Max. Externe Vorsicherung 20 A (T) in der Gebäudeinstallation
Jacket	PVC
Outer diameter	approx. 5.2 mm
Bend radius (mobile)	15 × outer diameter
Temperature range (fixed)	-30...+70 °C
Temperature range (mobile)	-5...+70 °C

All data on this data sheet was compiled carefully.

Liability regarding correctness, completeness, and actuality is limited to gross negligence. Created: 06/12

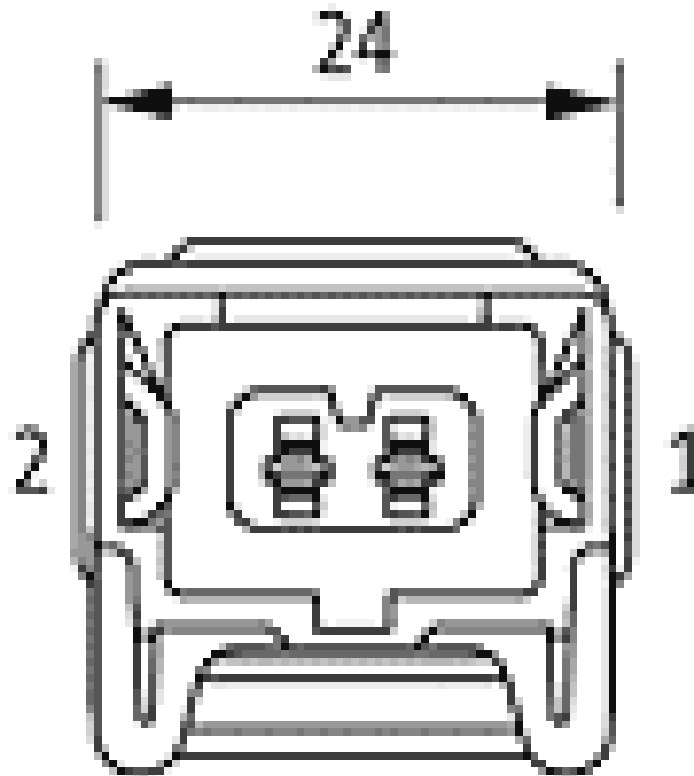
**Commercial data**

Net weight	91
Net weight	91
Weight unit	gram
Basic unit	pc.
Customs tariff number	85444290
Unit (piece)	1
Limited value	1

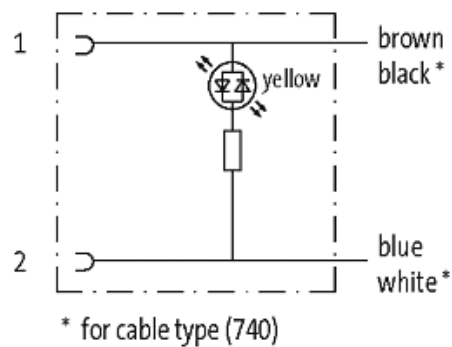
**Comments**

Plastic housings with good resistance against chemicals and oils.  
The resistance to aggressive media should be individually tested for your application. Further details on request.  
Further cable lengths on request.

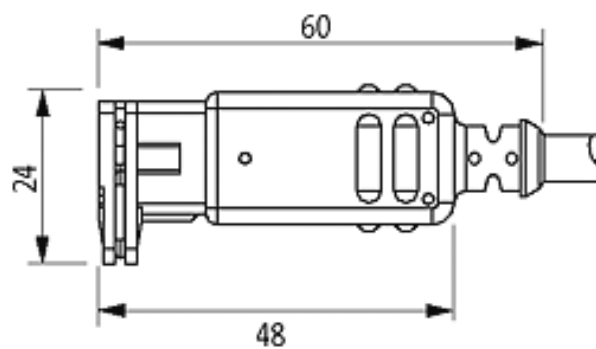
## Contact layout



## Circuit diagram



## Dimension drawing



Representante oficial de:



[Argentina – Uruguay – Paraguay – Bolivia – Colombia – y Perú.]



Calle 49 N° 5764 - Villa Ballester (B1653AOX) - Prov. de Buenos Aires - ARGENTINA  
Tel: (+54 11) 4768-4242 / Fax: (+54 11) 4849-1212  
Mail: [ventas@nakase.com.ar](mailto:ventas@nakase.com.ar) / Web: [www.nakase.com.ar](http://www.nakase.com.ar)

