

**MOSA valve conn. form C 9,4mm field-wireable (IDC)**

Form CI (9.4 mm), insulation displacement technology  
24 V AC/DC with LED and suppression  
Cable outlet can be turned in 90° steps

**Image**

Vicarious picture

**Approvals****Form**

94081

**Technical Data**

Operating voltage	24 V AC ±20 % / DC ±25 %
Operating current per contact (40 °C)	max. 3 A
Connection diameter	0.25...0.5 mm <sup>2</sup> (conductor diameter ≥ 0.1 mm)
Clamping range (cable diameter)	4...6 mm
Contact figure	Cable outlet can be turned in 3 × 90° steps
Outer wire diameter	1.2...1.6 mm
Protection	IP65 and IP67 when plugged and screwed down (EN 60529)
Temperature range	-25...+85 °C

**Commercial data**

Net weight	17
Net weight	17
Weight unit	gram
Basic unit	pc.
Customs tariff number	85369010
Unit (piece)	1
Limited value	1

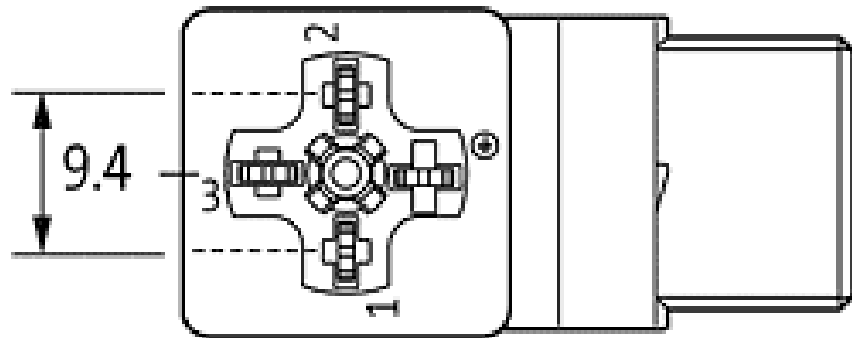
**Comments**

Plastic housings with good resistance against chemicals and oils.  
The resistance to aggressive media should be individually tested for your application. Further details on request.

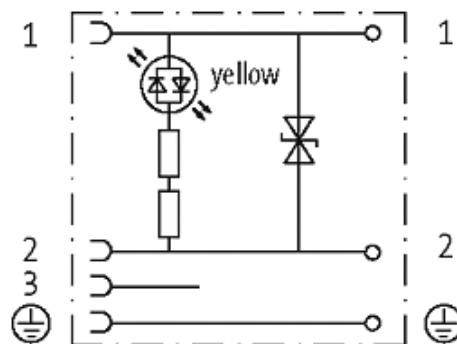
All data on this data sheet was compiled carefully.

Liability regarding correctness, completeness, and actuality is limited to gross negligence. Created: 06/12

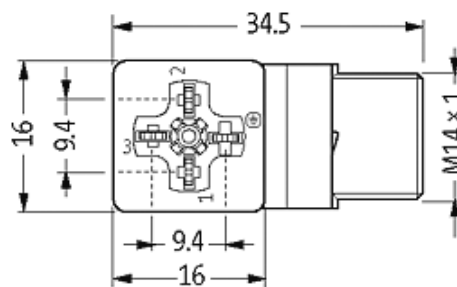
## Contact layout



## Circuit diagram



## Dimension drawing



Height: 28 mm

Representante oficial de:



[Argentina – Uruguay – Paraguay – Bolivia – Colombia – y Perú.]



Calle 49 N° 5764 - Villa Ballester (B1653AOX) - Prov. de Buenos Aires - ARGENTINA  
Tel: (+54 11) 4768-4242 / Fax: (+54 11) 4849-1212  
Mail: [ventas@nakase.com.ar](mailto:ventas@nakase.com.ar) / Web: [www.nakase.com.ar](http://www.nakase.com.ar)

