

Exact8, 8xM8, 3 pole Conn.M12 12 pole

8-way, 3-pole
M12 (12-pole)
inline face or side mounting

Image

Vicarious picture

Approvals**Contact layout**

Contact 1	(+)
Contact 3	(-)
Contact 4	(N/O)/(S1)
LED display	LED (green): Power LED (yellow): signal (S1)

Technical Data

Operating voltage	24 V DC
Operating current per contact (40 °C)	max. 1,76A
Total current	max. 1.5 A
Housing	Plastic, flame retardant
Protection	IP65 and IP67 when plugged and screwed down (EN 60529)
Temperature range	-20...+70 °C, depending on cable quality

Commercial data

Net weight	127
Net weight	127
Weight unit	gram
Basic unit	pc.
Customs tariff number	85369010
Unit (piece)	1
Limited value	1

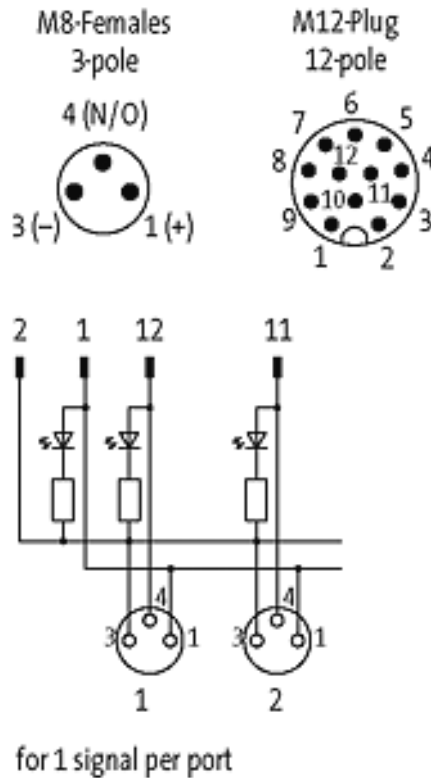
Comments

Plastic housings with good resistance against chemicals and oils.
The resistance to aggressive media should be individually tested for your application. Further details on request.

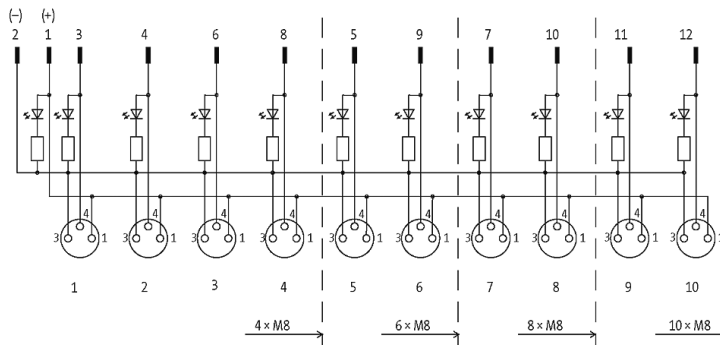
All data on this data sheet was compiled carefully.

Liability regarding correctness, completeness, and actuality is limited to gross negligence. Created: 06/12

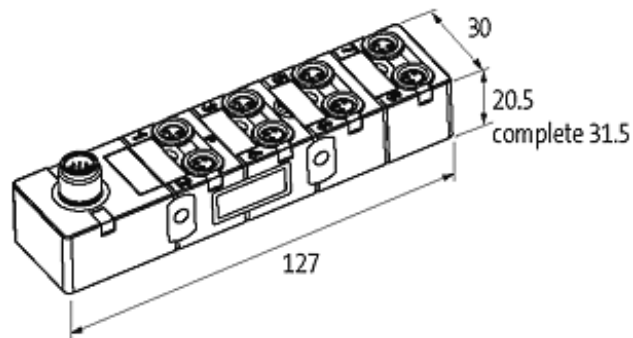
Contact layout



Circuit diagram



Dimension drawing



All data on this data sheet was compiled carefully.
Liability regarding correctness, completeness, and actuality is limited to gross negligence. Created: 06/12

Representante oficial de:



[Argentina – Uruguay – Paraguay – Bolivia – Colombia – y Perú.]



Calle 49 N° 5764 - Villa Ballester (B1653AOX) - Prov. de Buenos Aires - ARGENTINA
Tel: (+54 11) 4768-4242 / Fax: (+54 11) 4849-1212
Mail: ventas@nakase.com.ar / Web: www.nakase.com.ar

