

MVP12 Metal, 8-way, 5-pole, with pre-wired homerun cable, with potential separation

5-pole, potentially separated
with LED for digital PNP-signals 24 V DC

Image

Vicarious picture

Approvals**Contact layout**

Contact 1	(+)
Contact 2	(N/C)/(S2)
Contact 3	(-)
Contact 4	(N/O)/(S1)
Contact 5	(Earth)
LED display	LED (green): Power LED (yellow): Signal (S1/S2)

Form

58610

Technical Data

Operating voltage	24 V DC
Operating current per contact (40 °C)	max. 4 A
Total current	max. 10 A
Housing	zinc die casting, matte nickel plated
Protection	IP65, IP67, IP68 when plugged and screwed down (EN 60529)
Temperature range	-25...+80 °C

Technical data M12 port

Locking of ports	Screw thread M12 × 1 mm
------------------	-------------------------

You can chose from the following variants:

	Art.-No.
MVP-Metall, 8xM12, 5pole, pre-wired cable 3.0m PUR 16x0,34+5x0,75, UL/CSA	8000-58610-4030300
MVP-Metall, 8xM12, 5pole, pre-wired cable 5.0m PUR 16x0,34+5x0,75, UL/CSA	8000-58610-4030500
MVP-Metall, 8xM12, 5pole, pre-wired cable 10.0m PUR 16x0,34+5x0,75, UL/CSA	8000-58610-4031000
MVP-Metall, 8xM12, 5pole, pre-wired cable 15.0m PUR 16x0,34+5x0,75, UL/CSA	8000-58610-4031500

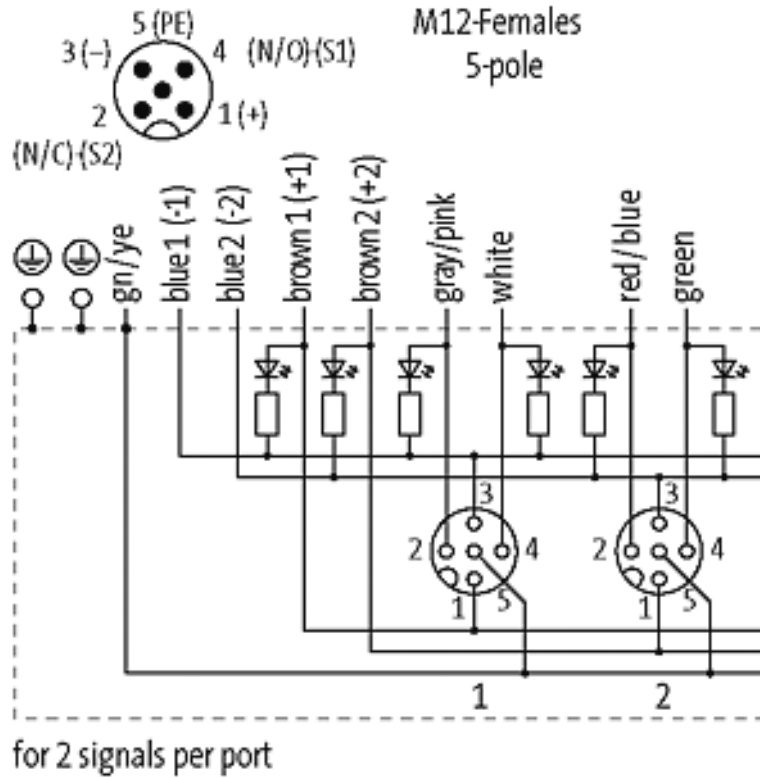
All data on this data sheet was compiled carefully.

Liability regarding correctness, completeness, and actuality is limited to gross negligence. Created: 06/12

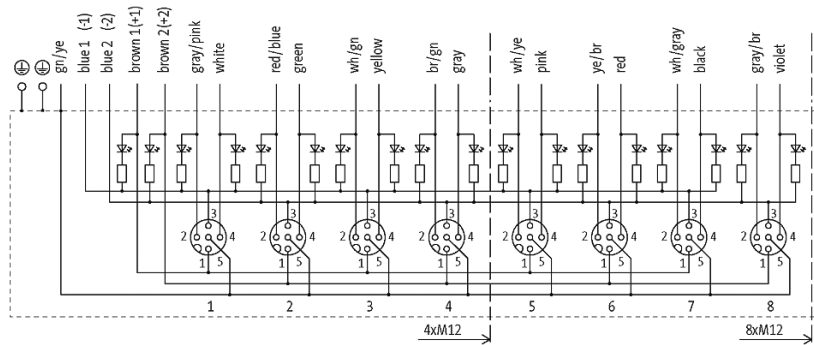
Comments

Via potential separation sockets 1, 3, 5, 7 or 2, 4, 6, 8 may vary.
Further cable lengths on request.

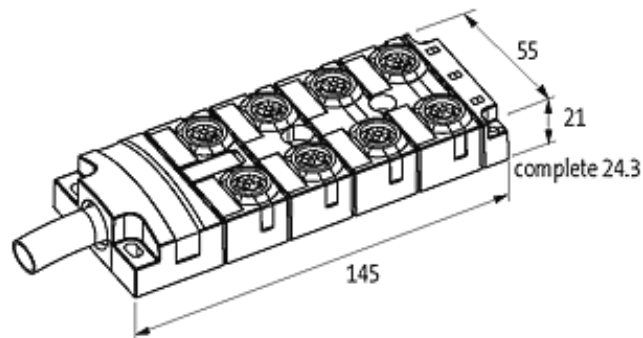
Contact layout



Circuit diagram



Dimension drawing



De-rating curve

