

MVP12 Metal, 8-way, 5-pole, with pre-wired homerun cable, shielded

5-pole, shielded
without LED for analog signals up to 125 V AC/DC

Image

Vicarious picture

Approvals**Contact layout**

Contact 1	(+)
Contact 2	(N/C)/(S2)
Contact 3	(-)
Contact 4	(N/O)/(S1)
Contact 5	(Earth)
Shield	via M12 thread

Form

58515

Technical Data

Operating voltage	max. 125 V AC/DC
Operating current per contact (40 °C)	max. 4 A
Total current	max. 10 A
Housing	zinc die casting, matte nickel plated
Protection	IP65, IP67, IP68 when plugged and screwed down (EN 60529)
Temperature range	-25...+80 °C

Technical data M12 port

Locking of ports	Screw thread M12 × 1 mm
------------------	-------------------------

You can chose from the following variants:

	Art.-No.
MVP-Metall, 8xM12, 5pole, pre-wired cable 3.0m PUR 16x0,34+3x0,75, UL/CSA	8000-58515-4010300
MVP-Metall, 8xM12, 5pole, pre-wired cable 5.0m PUR 16x0,34+3x0,75, UL/CSA	8000-58515-4010500
MVP-Metall, 8xM12, 5pole, pre-wired cable 10.0m PUR 16x0,34+3x0,75, UL/CSA	8000-58515-4011000
MVP-Metall, 8xM12, 5pole, pre-wired cable 15.0m PUR 16x0,34+3x0,75, UL/CSA	8000-58515-4011500

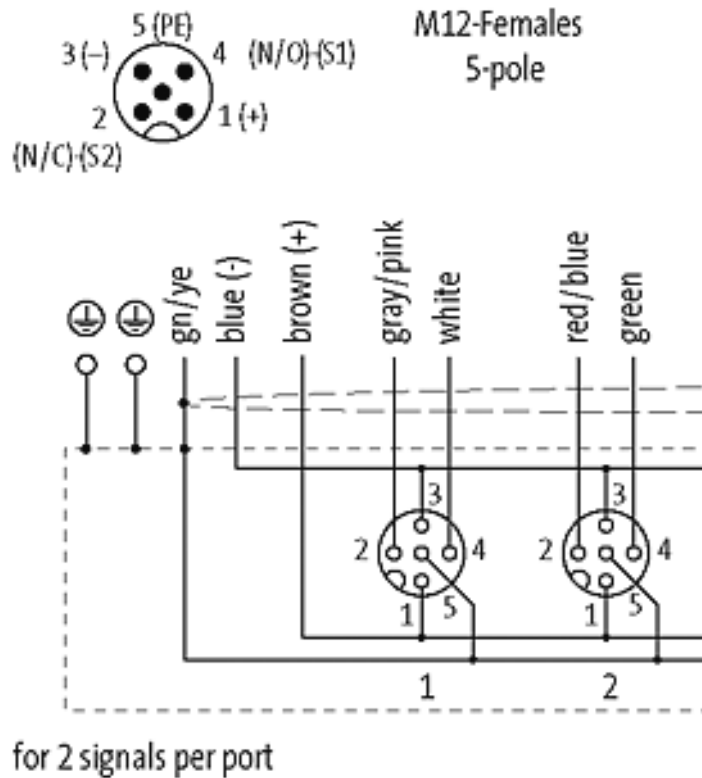
All data on this data sheet was compiled carefully.

Liability regarding correctness, completeness, and actuality is limited to gross negligence. Created: 06/12

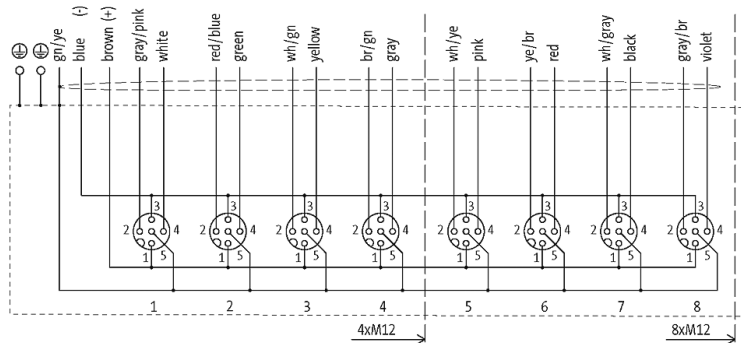
Comments

Further cable lengths on request.

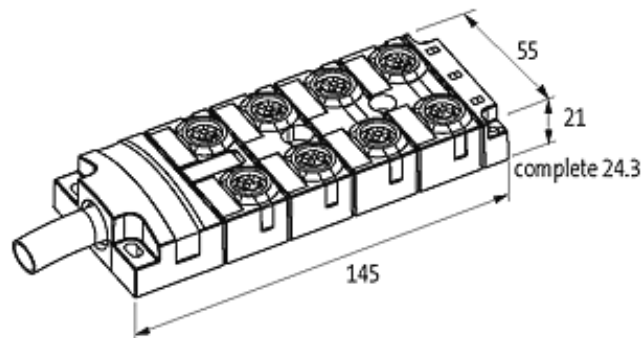
Contact layout



Circuit diagram



Dimension drawing



De-rating curve

