

**MVP12 Metal, 8-way, 5-pole, with pre-wired homerun cable, shielded**

5-pole, shielded  
with LED for digital PNP-signals 24 V DC

**Image**

Vicarious picture

**Approvals****Contact layout**

Contact 1	(+)
Contact 2	(N/C)/(S2)
Contact 3	(-)
Contact 4	(N/O)/(S1)
Contact 5	(Earth)
LED display	LED (green): Power    LED (yellow): Signal (S1/S2)
Shield	via M12 thread

**Form**

58513

**Technical Data**

Operating voltage	24 V DC
Operating current per contact (40 °C)	max. 4 A
Total current	max. 10 A
Housing	zinc die casting, matte nickel plated
Protection	IP65, IP67, IP68 when plugged and screwed down (EN 60529)
Temperature range	-25...+80 °C

**Technical data M12 port**

Locking of ports	Screw thread M12 × 1 mm
------------------	-------------------------

All data on this data sheet was compiled carefully.

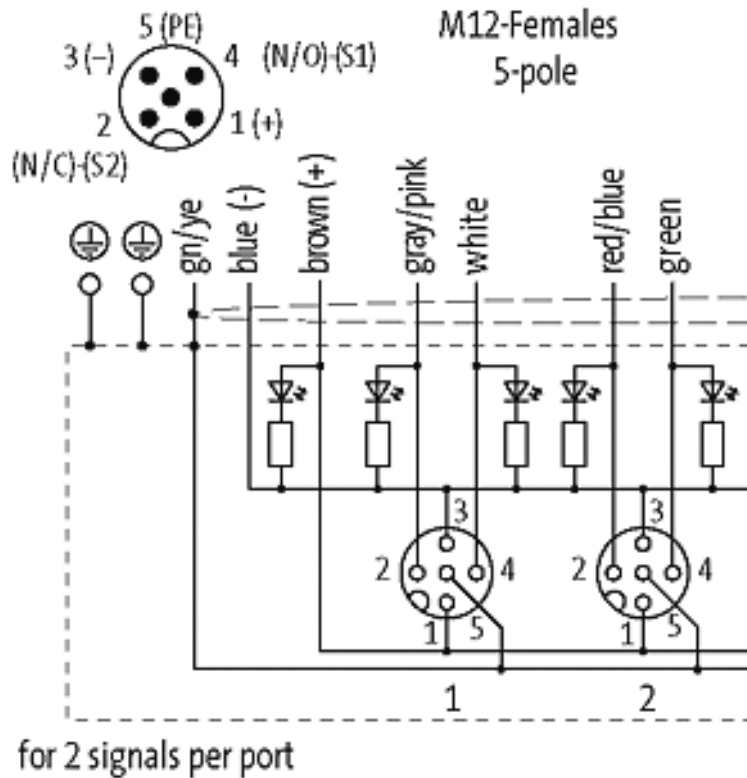
Liability regarding correctness, completeness, and actuality is limited to gross negligence. Created: 06/12

You can chose from the following variants:	Art.-No.
MVP-Metall, 8xM12, 5pole, pre-wired cable 3.0m PUR 16x0,34+3x0,75, UL/CSA	8000-58513-4010300
MVP-Metall, 8xM12, 5pole, pre-wired cable 5.0m PUR 16x0,34+3x0,75, UL/CSA	8000-58513-4010500
MVP-Metall, 8xM12, 5pole, pre-wired cable 10.0m PUR 16x0,34+3x0,75, UL/CSA	8000-58513-4011000
MVP-Metall, 8xM12, 5pole, pre-wired cable 15.0m PUR 16x0,34+3x0,75, UL/CSA	8000-58513-4011500

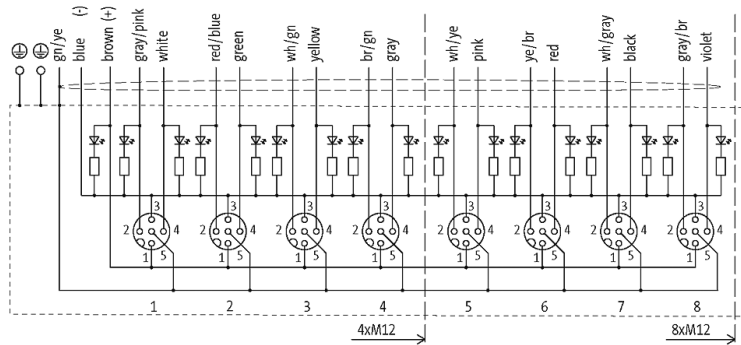
**Comments**

Further cable lengths on request.

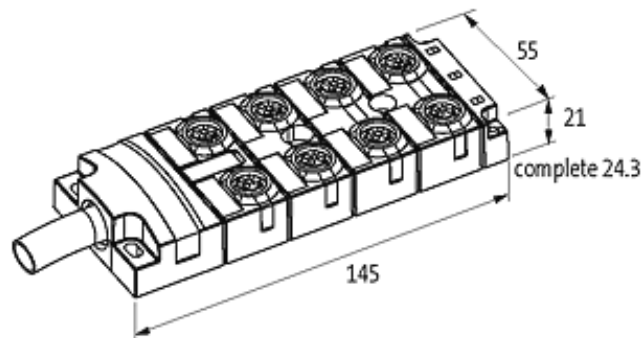
Contact layout



Circuit diagram



Dimension drawing



## De-rating curve

