

**MVP12 Metal, 4-way, 5-pole, with pre-wired homerun cable, shielded**

5-pole, shielded  
without LED, 5-pole (for analog signals)

**Image**

Vicarious picture

**Approvals****Contact layout**

Contact 1	(+)
Contact 2	(N/C)/(S2)
Contact 3	(-)
Contact 4	(N/O)/(S1)
Contact 5	(Earth)
Shield	via M12 thread

**Form**

54515

**Technical Data**

Operating voltage	max. 125 V AC/DC
Operating current per contact (40 °C)	max. 4 A
Total current	max. 10 A
Housing	zinc die casting, matte nickel plated
Protection	IP65, IP67, IP68 when plugged and screwed down (EN 60529)
Temperature range	-25...+80 °C

**Technical data M12 port**

Locking of ports	Screw thread M12 × 1 mm
------------------	-------------------------

**You can chose from the following variants:**

	<b>Art.-No.</b>
MVP-Metall, 4xM12, 5pole, pre-wired cable 3.0m PUR 8x0,34+3x0,75, UL/CSA	8000-54515-3730300
MVP-Metall, 4xM12, 5pole, pre-wired cable 5.0m PUR 8x0,34+3x0,75, UL/CSA	8000-54515-3730500
MVP-Metall, 4xM12, 5pole, pre-wired cable 10.0m PUR 8x0,34+3x0,75, UL/CSA	8000-54515-3731000
MVP-Metall, 4xM12, 5pole, pre-wired cable 15.0m PUR 8x0,34+3x0,75, UL/CSA	8000-54515-3731500

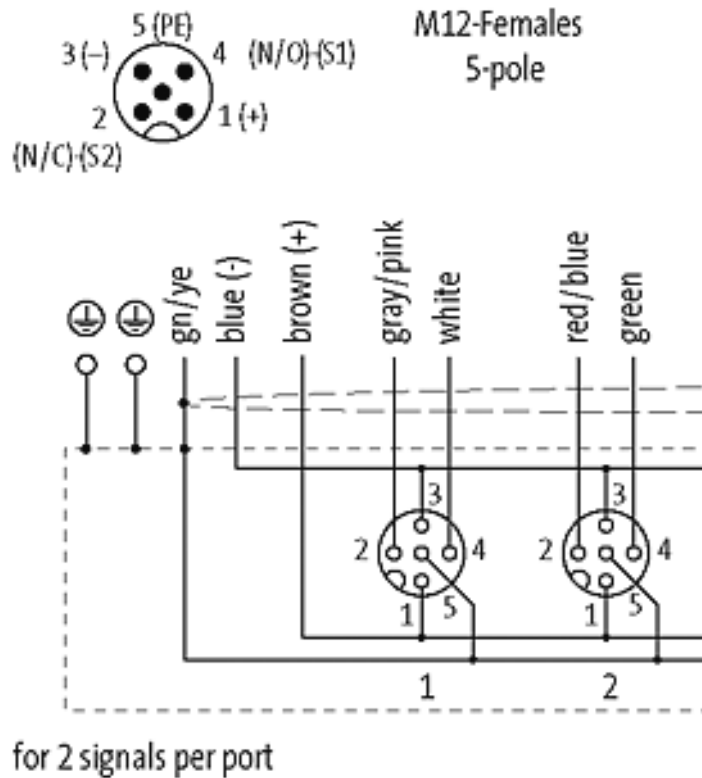
All data on this data sheet was compiled carefully.

Liability regarding correctness, completeness, and actuality is limited to gross negligence. Created: 06/12

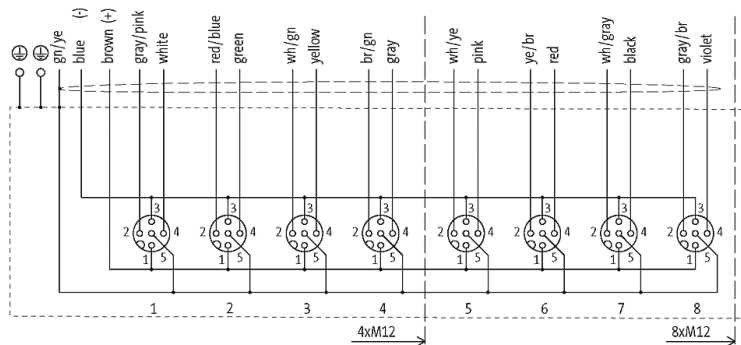
**Comments**

Further cable lengths on request.

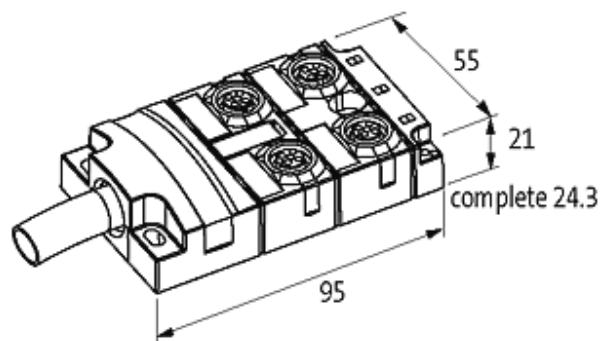
Contact layout



Circuit diagram



Dimension drawing



**De-rating curve**