

Exact12, 4-way, 5-pole, with pre-wired homerun cable

5-pole

Image



Vicarious picture

Approvals



Contact layout

Contact 1	(+)
Contact 2	(N/C)/(S2)
Contact 3	(-)
Contact 4	(N/O)/(S1)
Contact 5	(Earth)
LED display	LED (green): Power LED (yellow): signal (S1) LED (white): Signal (S2)

Form

84510

Technical Data

Protection	IP65 and IP67 when plugged and screwed down (EN 60529)
Operating voltage	24 V DC
Operating current per contact (40 °C)	max. 4 A
Total current	max. 10 A
Housing	Plastic, flame retardant
Temperature range	-20...+60 °C

Technical data M12 port

Locking of ports	Screw thread M12 × 1 mm
------------------	-------------------------

All data on this data sheet was compiled carefully.

Liability regarding correctness, completeness, and actuality is limited to gross negligence. Created: 06/12

You can chose from the following variants:	Art.-No.
Exact12, 4xM12, 5-pole, moulded cable 3.0m PUR/PVC 8x0,34+3x0,75, UL/CSA	8000-84510-3630300
Exact12, 4xM12, 5-pole, moulded cable 5.0m PUR/PVC 8x0,34+3x0,75, UL/CSA	8000-84510-3630500
Exact12, 4xM12, 5-pole, moulded cable 10.0m PUR/PVC 8x0,34+3x0,75, UL/CSA	8000-84510-3631000
Exact12, 4xM12, 5-pole, moulded cable 15.0m PUR/PVC 8x0,34+3x0,75, UL/CSA	8000-84510-3631500
Exact12, 4xM12, 5-pole, moulded cable 3.0m PUR 8x0,5+3x1,0, UL/CSA	8000-84510-4480300
Exact12, 4xM12, 5-pole, moulded cable 5.0m PUR 8x0,5+3x1,0, UL/CSA	8000-84510-4480500
Exact12, 4xM12, 5-pole, moulded cable 10.0m PUR 8x0,5+3x1,0, UL/CSA	8000-84510-4481000
Exact12, 4xM12, 5-pole, moulded cable 15.0m PUR 8x0,5+3x1,0, UL/CSA	8000-84510-4481500

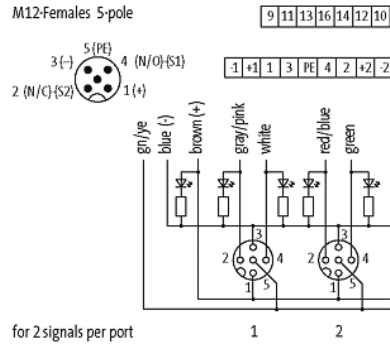
Comments

Further cable lengths on request.

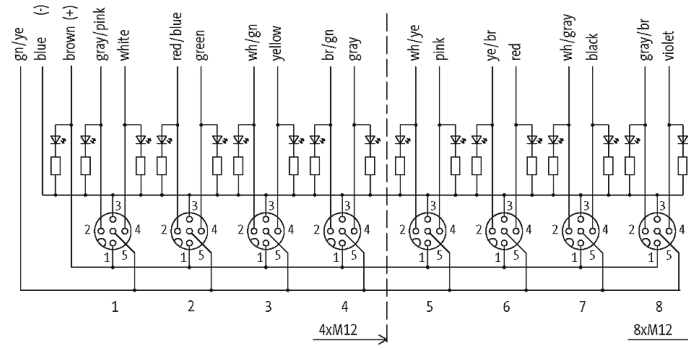
Plastic housings with good resistance against chemicals and oils.

The resistance to aggressive media should be individually tested for your application. Further details on request.

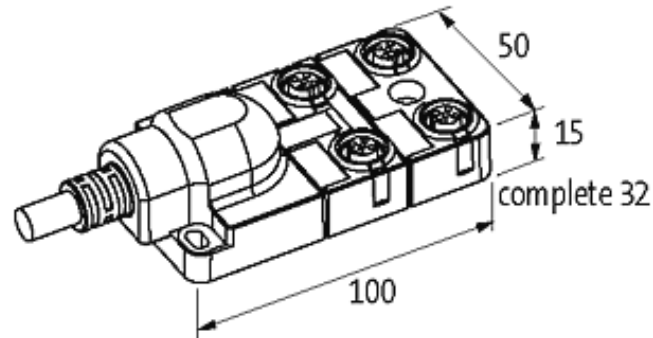
Contact layout



Circuit diagram



Dimension drawing



All data on this data sheet was compiled carefully.

Liability regarding correctness, completeness, and actuality is limited to gross negligence. Created: 06/12

Representante oficial de:



[Argentina – Uruguay – Paraguay – Bolivia – Colombia – y Perú.]



Calle 49 N° 5764 - Villa Ballester (B1653AOX) - Prov. de Buenos Aires - ARGENTINA
Tel: (+54 11) 4768-4242 / Fax: (+54 11) 4849-1212
Mail: ventas@nakase.com.ar / Web: www.nakase.com.ar

