

**Exact12, 8xM12, 4-pole, basic housing, no LED without homerun-cable**

8-way, 4-pole  
without LED, up to 125 V AC/DC  
Screw plug-in terminals

**Image**

Vicarious picture

**Approvals****Contact layout**

Contact 1	(+)
Contact 3	(-)
Contact 4	(N/O)/(S1)
Contact 5	(Earth)

**Technical Data**

Operating voltage	24 V DC
Operating current per contact (40 °C)	max. 4 A
Total current	max. 8 A
Housing	Plastic, flame retardant
Protection	IP65 and IP67 when plugged and screwed down (EN 60529)
Temperature range	-20...+60 °C

**Technical data M12 port**

Locking of ports	Screw thread M12 × 1 mm
------------------	-------------------------

**Commercial data**

Net weight	125
Net weight	125
Weight unit	gram
Basic unit	pc.
Customs tariff number	85369010
Unit (piece)	1
Limited value	1

All data on this data sheet was compiled carefully.

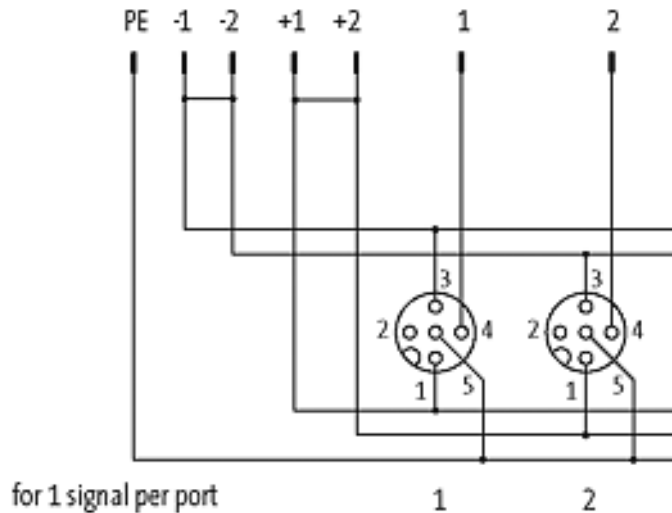
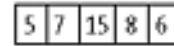
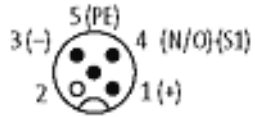
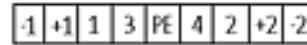
Liability regarding correctness, completeness, and actuality is limited to gross negligence. Created: 06/12

**Comments**

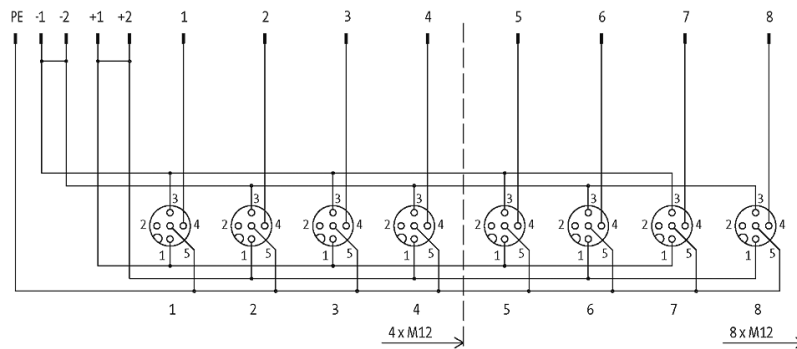
Plastic housings with good resistance against chemicals and oils.  
The resistance to aggressive media should be individually tested for your application. Further details on request.

Contact layout

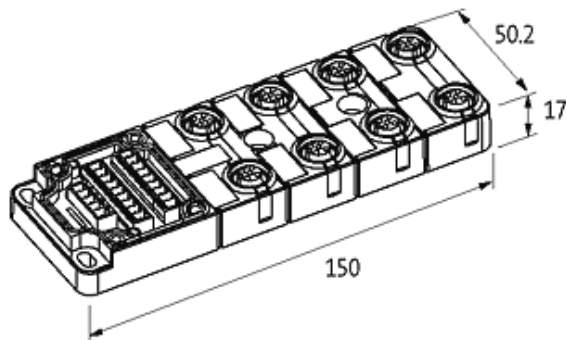
M12-Females 4-pole

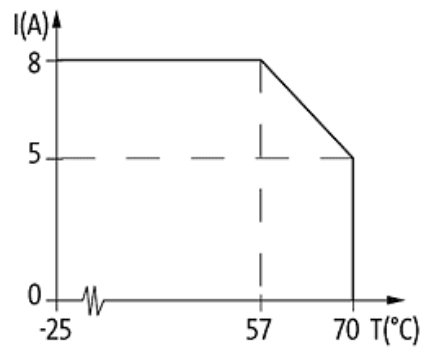


Circuit diagram



Dimension drawing



**De-rating curve**

Representante oficial de:



[Argentina – Uruguay – Paraguay – Bolivia – Colombia – y Perú.]



Calle 49 N° 5764 - Villa Ballester (B1653AOX) - Prov. de Buenos Aires - ARGENTINA  
Tel: (+54 11) 4768-4242 / Fax: (+54 11) 4849-1212  
Mail: [ventas@nakase.com.ar](mailto:ventas@nakase.com.ar) / Web: [www.nakase.com.ar](http://www.nakase.com.ar)

