

M12 female straight shielded with cable; DeviceNet PUR-OB shielded violet UL 1,5m

DeviceNet, CANopen
Female straight, M12
5-pole, shielded

Image



Vicarious picture

Approvals



Bus technologies

DeviceNet

CANopen

Form

13225

Technical Data

Operating voltage	max. 60 V AC/DC
Operating current per contact (40 °C)	max. 4 A
Protection	IP65 and IP67 when plugged and screwed down (EN 60529)
Locking of ports	screw thread M12 × 1 mm (recommended torque = 0.6 Nm) self-securing
Temperature range	-25...+85 °C, depending on cable quality

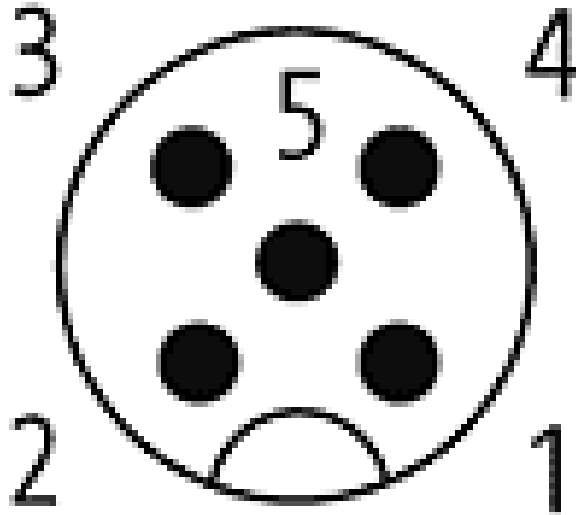
All data on this data sheet was compiled carefully.

Liability regarding correctness, completeness, and actuality is limited to gross negligence. Created: 06/12

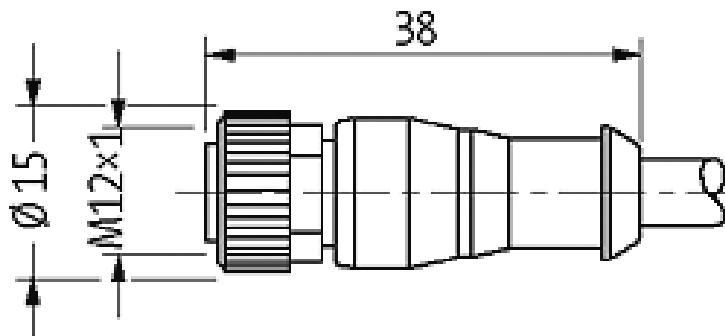
Cable	
No./diameter of wires	2 × 0.25 + 2 × 0.34 mm ²
Wire isolation	PE (rd, bk), (bl, wh)
C-track properties	5 Mio.
Jacket	PUR (UL/CSA)
Outer diameter	approx. 6.9 mm
Bend radius (mobile)	15 × outer diameter
Temperature range (fixed)	-40...+80 °C
Temperature range (mobile)	-20...+80 °C
Commercial data	
Net weight	112
Net weight	112
Weight unit	gram
Basic unit	pc.
Customs tariff number	85444290
Unit (piece)	1
Limited value	1
Accessories	
	Art.-No.
Bus terminating plug for DeviceNet M12 male straight with termination resistor	7000-13461-0000000
M12-Schaltschrankdurchführung 5pol A-cod	7000-42111-0000000
Comments	
<p>Plastic housings with good resistance against chemicals and oils. The resistance to aggressive media should be individually tested for your application. Further details on request. Further cable lengths on request.</p>	

Contact layout

Female



Dimension drawing



Representante oficial de:



[Argentina – Uruguay – Paraguay – Bolivia – Colombia – y Perú.]



Calle 49 N° 5764 - Villa Ballester (B1653AOX) - Prov. de Buenos Aires - ARGENTINA
Tel: (+54 11) 4768-4242 / Fax: (+54 11) 4849-1212
Mail: ventas@nakase.com.ar / Web: www.nakase.com.ar

