

**M12 male straight shielded field-wireable Replaced Art.-No. 4227626**

Male M12, straight  
A-coded, 5-pole, shielded

**Image**

Vicarious picture

**Approvals****Form**

13321

**Technical Data**

Operating voltage	max. 125 V AC/DC
Operating current per contact (40 °C)	max. 4 A
Connection diameter	max. 0.75 mm <sup>2</sup>
Clamping range (cable diameter)	6...8 mm
Housing	CuZn, nickel plated
Protection	IP65 and IP67 when plugged and screwed down (EN 60529)
Temperature range	-25...+85 °C

**Commercial data**

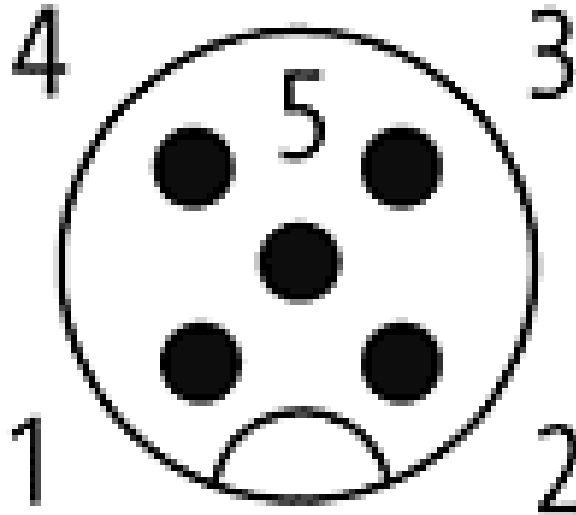
Net weight	60
Net weight	60
Weight unit	gram
Basic unit	pc.
Customs tariff number	85369010
Unit (piece)	1
Limited value	1

All data on this data sheet was compiled carefully.

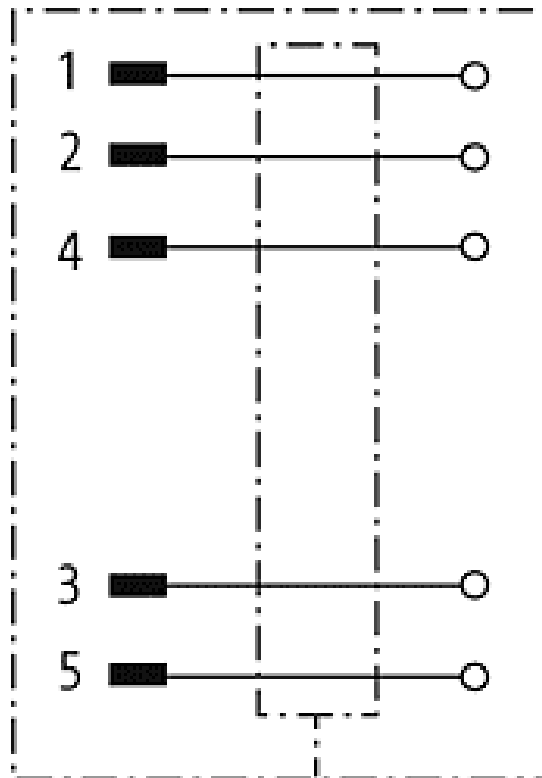
Liability regarding correctness, completeness, and actuality is limited to gross negligence. Created: 06/12

Contact layout

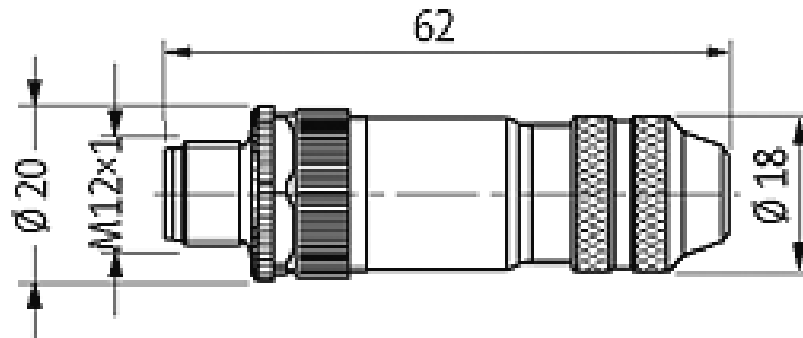
# Male



Circuit diagram



Dimension drawing



Representante oficial de:



[Argentina – Uruguay – Paraguay – Bolivia – Colombia – y Perú.]



Calle 49 N° 5764 - Villa Ballester (B1653AOX) - Prov. de Buenos Aires - ARGENTINA  
Tel: (+54 11) 4768-4242 / Fax: (+54 11) 4849-1212  
Mail: [ventas@nakase.com.ar](mailto:ventas@nakase.com.ar) / Web: [www.nakase.com.ar](http://www.nakase.com.ar)

