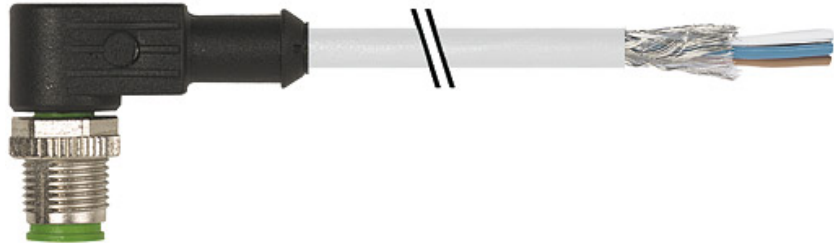


M12 male 90° shielded with cable PVC-JB 5x0,34 shielded grey 1,5m

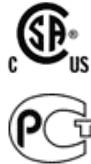
Male 90°
5-pole, shielded

Image



Vicarious picture

Approvals



Form

13161

Technical Data

Protection	IP65 and IP67 when plugged and screwed down (EN 60529)
Operating voltage	max. 60 V AC/DC
Operating current per contact (40 °C)	max. 4 A
Locking of ports	screw thread M12 × 1 mm (recommended torque = 0.6 Nm) self-securing
Temperature range	-25...+85 °C, depending on cable quality

Cable

No./diameter of wires	5 × 0.34 mm ²
Wire isolation	PVC (br, wh, bl, bk, gnye)
C-track properties	Max. Externe Vorsicherung 20 A (T) in der Gebäudeinstallation
Jacket	PVC
Outer diameter	approx. 5.9 mm
Bend radius (mobile)	15 × outer diameter
Temperature range (fixed)	-30...+80 °C
Temperature range (mobile)	-5...+70 °C

All data on this data sheet was compiled carefully.

Liability regarding correctness, completeness, and actuality is limited to gross negligence. Created: 06/12

Commercial data

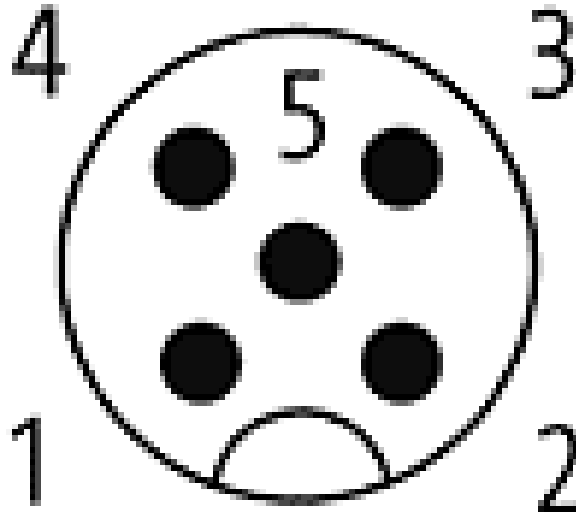
Net weight	108
Net weight	108
Weight unit	gram
Basic unit	pc.
Customs tariff number	85444290
Unit (piece)	1
Limited value	1

Comments

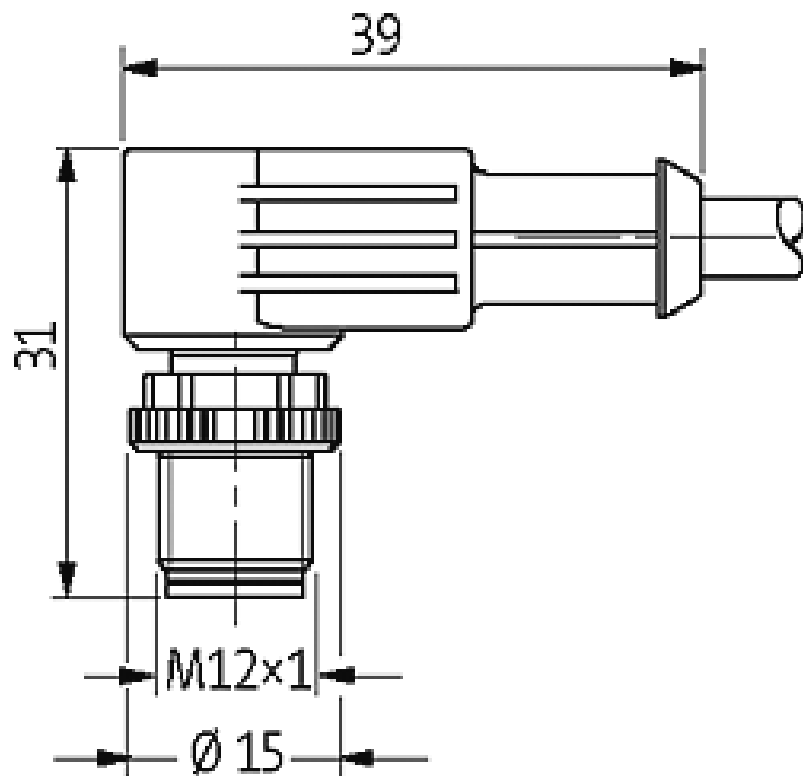
Plastic housings with good resistance against chemicals and oils.
The resistance to aggressive media should be individually tested for your application. Further details on request.
Further cable lengths on request.

Contact layout

Male



Dimension drawing



Representante oficial de:



[Argentina – Uruguay – Paraguay – Bolivia – Colombia – y Perú.]



Calle 49 N° 5764 - Villa Ballester (B1653AOX) - Prov. de Buenos Aires - ARGENTINA
Tel: (+54 11) 4768-4242 / Fax: (+54 11) 4849-1212
Mail: ventas@nakase.com.ar / Web: www.nakase.com.ar

