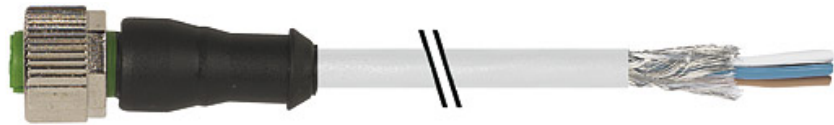


M12 female straight shielded with cable PUR-OB 8x0,25 shielded grey 1,5m

Female straight
8-pole, shielded

Image



Vicarious picture

Approvals



Form

17121

Technical Data

Protection	IP65 and IP67 when plugged and screwed down (EN 60529)
Operating voltage	max. 30 V AC/DC
Operating current per contact (40 °C)	max. 1,76A
Locking of ports	screw thread M12 × 1 mm (recommended torque = 0.6 Nm) self-securing
Temperature range	-25...+85 °C, depending on cable quality

Cable

No./diameter of wires	8 × 0.25 mm ²
Wire isolation	PP (wh, br, gn, ye, gr, pk, bl, rd)
C-track properties	2 Mio.
Jacket	PUR
Outer diameter	approx. 7.0 mm
Bend radius (mobile)	15 × outer diameter
Temperature range (fixed)	-40...+80 °C
Temperature range (mobile)	-20...+80 °C

All data on this data sheet was compiled carefully.

Liability regarding correctness, completeness, and actuality is limited to gross negligence. Created: 06/12

Commercial data

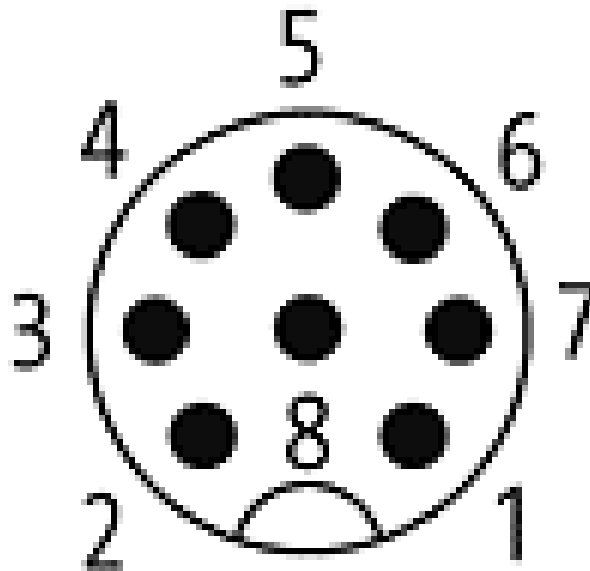
Net weight	113
Net weight	113
Weight unit	gram
Basic unit	pc.
Customs tariff number	85444290
Unit (piece)	1
Limited value	1

Comments

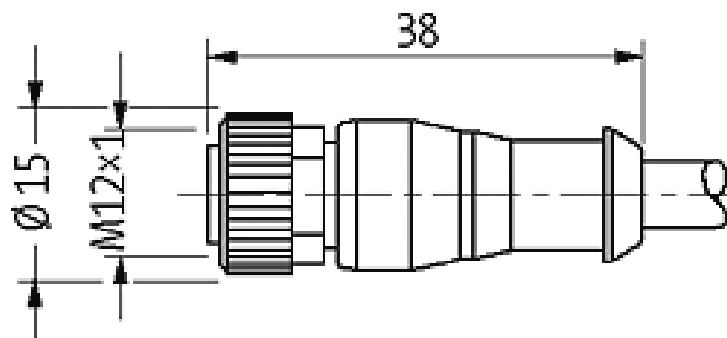
Plastic housings with good resistance against chemicals and oils.
The resistance to aggressive media should be individually tested for your application. Further details on request.
Further cable lengths on request.

Contact layout

Female



Dimension drawing



Representante oficial de:



[Argentina – Uruguay – Paraguay – Bolivia – Colombia – y Perú.]



Calle 49 N° 5764 - Villa Ballester (B1653AOX) - Prov. de Buenos Aires - ARGENTINA
Tel: (+54 11) 4768-4242 / Fax: (+54 11) 4849-1212
Mail: ventas@nakase.com.ar / Web: www.nakase.com.ar

