

7/8" female 90° field-wireable Replaced by 7000-78261-0000000

Female 90°
5-pole
Screw terminals

Image

Vicarious picture

Form

78261

Technical Data

Operating voltage	max. 250 V AC/DC
Operating current per contact (40 °C)	max. 9 A
Connection diameter	max. 1.5 mm ²
Clamping range (cable diameter)	6...8.7 mm
Protection	IP65 and IP67 when plugged and screwed down (EN 60529)
Temperature range	-25...+85 °C

Commercial data

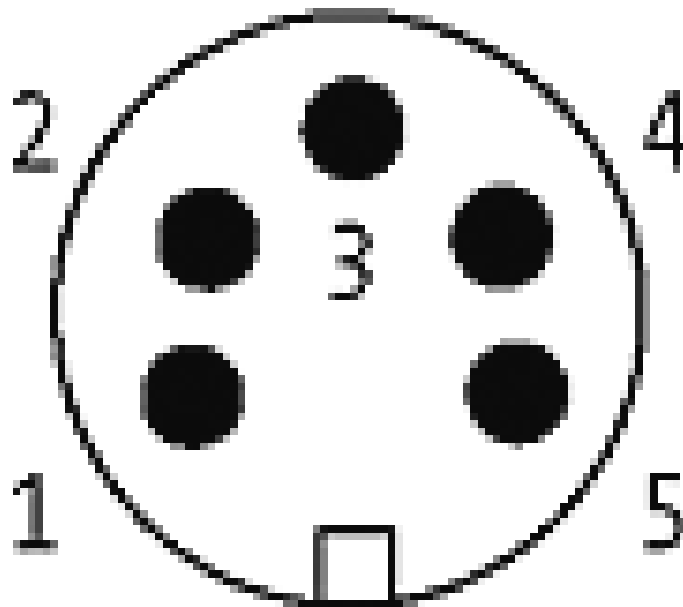
Net weight	10
Net weight	10
Weight unit	gram
Basic unit	pc.
Customs tariff number	85369010
Unit (piece)	1
Limited value	1

Comments

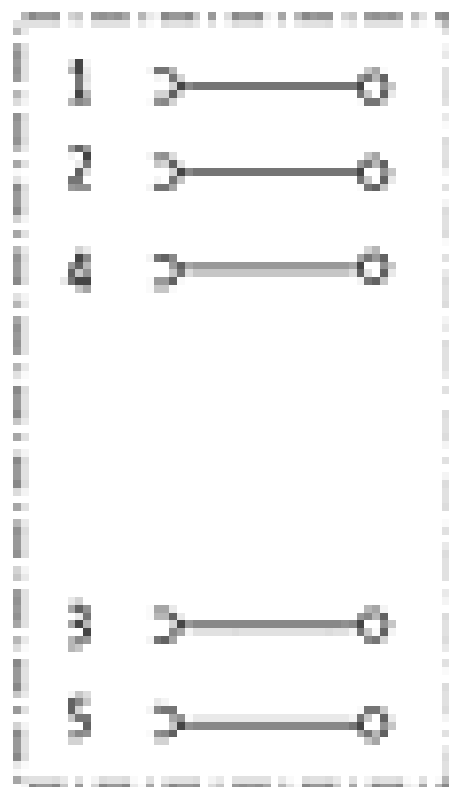
Plastic housings with good resistance against chemicals and oils.
The resistance to aggressive media should be individually tested for your application. Further details on request.

Contact layout

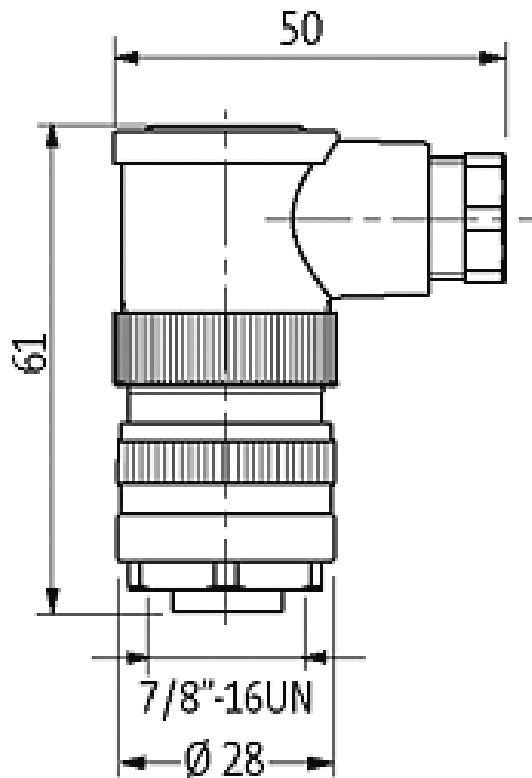
Female



Circuit diagram



Dimension drawing



Representante oficial de:



[Argentina – Uruguay – Paraguay – Bolivia – Colombia – y Perú.]



Calle 49 N° 5764 - Villa Ballester (B1653AOX) - Prov. de Buenos Aires - ARGENTINA
Tel: (+54 11) 4768-4242 / Fax: (+54 11) 4849-1212
Mail: ventas@nakase.com.ar / Web: www.nakase.com.ar

