

MOSA 7/8" male 0°, 5p.(IDC) field-wireable, 0,75-1,50qmm

Male straight
5-pole
insulation displacement technology
Connection diameter: 0.75...1.5 mm²

Image

Vicarious picture

Form

78091

Technical Data

Operating voltage	max. 230/400 V AC/DC
Operating current per contact (40 °C)	max. 10 A
Connection diameter	0.75...1.5 mm ² (conductor diameter \geq 0.15 mm)
Clamping range (cable diameter)	6.8...12.5 mm
Wire isolation	PVC, PP, TPE
Outer wire diameter	\leq 2.8 mm
Protection	IP65 and IP67 when plugged and screwed down (EN 60529)
Temperature range	-40...+85 °C

Commercial data

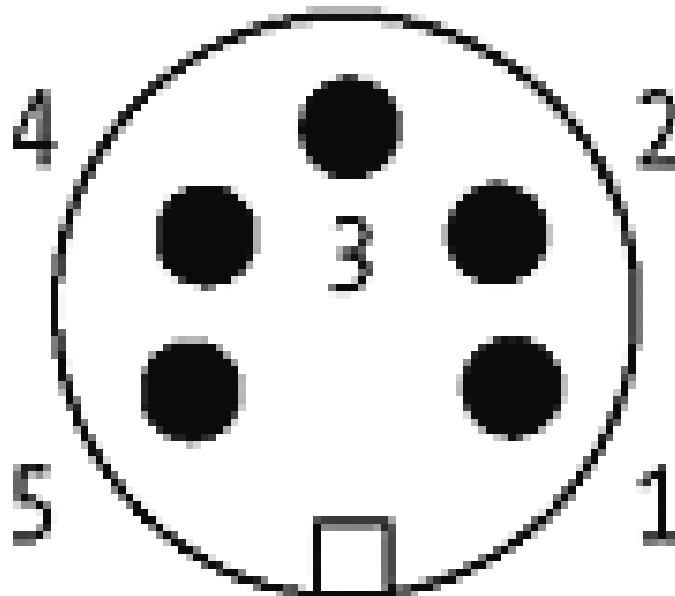
Net weight	84
Net weight	84
Weight unit	gram
Basic unit	pc.
Customs tariff number	85369010
Unit (piece)	1
Limited value	1

Comments

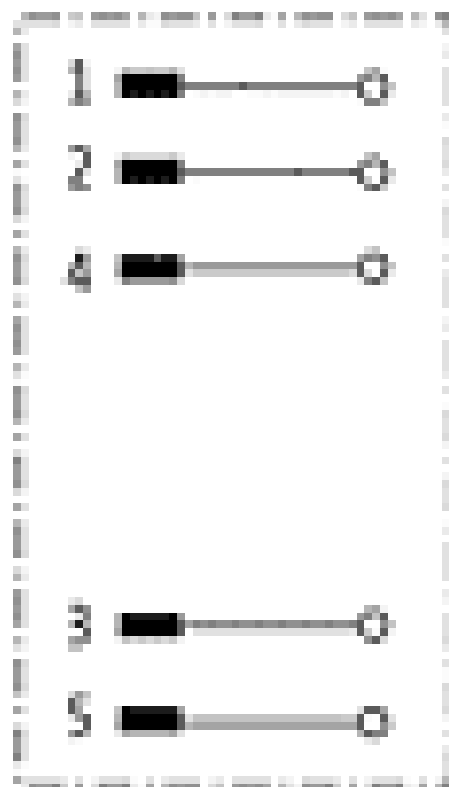
Plastic housings with good resistance against chemicals and oils.
The resistance to aggressive media should be individually tested for your application. Further details on request.

Contact layout

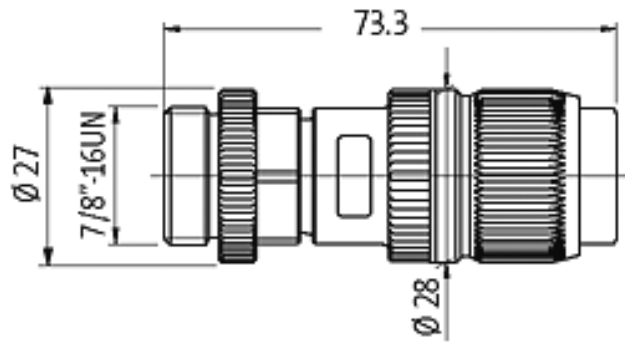
Male



Circuit diagram



Dimension drawing



Representante oficial de:



[Argentina – Uruguay – Paraguay – Bolivia – Colombia – y Perú.]



Calle 49 N° 5764 - Villa Ballester (B1653AOX) - Prov. de Buenos Aires - ARGENTINA
Tel: (+54 11) 4768-4242 / Fax: (+54 11) 4849-1212
Mail: ventas@nakase.com.ar / Web: www.nakase.com.ar

