

Power Distributor PD4 7/8" 4 pole 24+E male to 4 x 7/8" 4-pole female

Industry plug 24+PE
to 4 x 7/8" UNF female
4-pole

Image

Vicarious picture

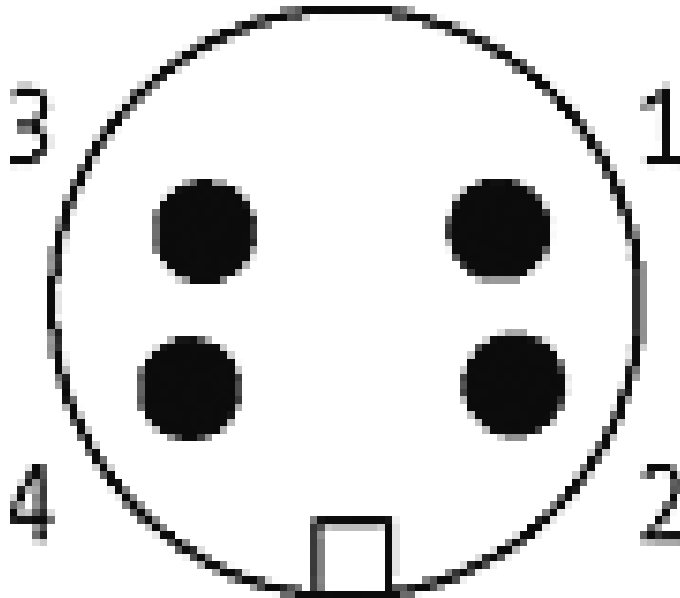
Technical Data	
Operating voltage	50 V AC/120 V DC (only SELV)
Operating current per contact (40 °C)	max. 9 A
Protection	IP65 and IP67 when plugged and screwed down (EN 60529)
Temperature range	-30...+85 °C
Housing	Aluminum die-cast (powder-coated)
Locking of ports	2-hand fixing (2 clamps)
Commercial data	
Net weight	635
Net weight	635
Weight unit	gram
Basic unit	pc.
Customs tariff number	85369010
Unit (piece)	1
Limited value	1

All data on this data sheet was compiled carefully.

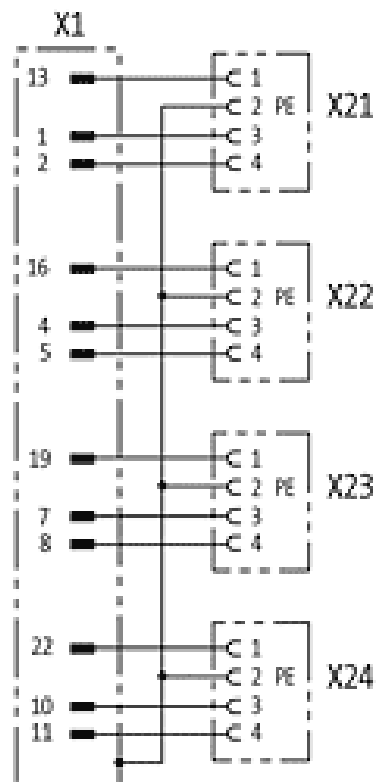
Liability regarding correctness, completeness, and actuality is limited to gross negligence. Created: 06/12

Contact layout

Female



Circuit diagram



Representante oficial de:



[Argentina – Uruguay – Paraguay – Bolivia – Colombia – y Perú.]



Calle 49 N° 5764 - Villa Ballester (B1653AOX) - Prov. de Buenos Aires - ARGENTINA
Tel: (+54 11) 4768-4242 / Fax: (+54 11) 4849-1212
Mail: ventas@nakase.com.ar / Web: www.nakase.com.ar

