

**M8 male 90° field-wireable (solder pins) Replaced Art.-No. 3827635**

Male 90°  
4-pole  
with solder pins  
Connection diameter: max. 0.25 mm<sup>2</sup>

**Image**

Vicarious picture

**Approvals****Form**

08461

**Technical Data**

Operating voltage	max. 30 V AC/DC
Operating current per contact (40 °C)	max. 4 A
Connection diameter	max. 0.25 mm <sup>2</sup>
Clamping range (cable diameter)	3.5...5.0 mm
Protection	IP65 and IP67 when plugged and screwed down (EN 60529)
Temperature range	-25...+85 °C

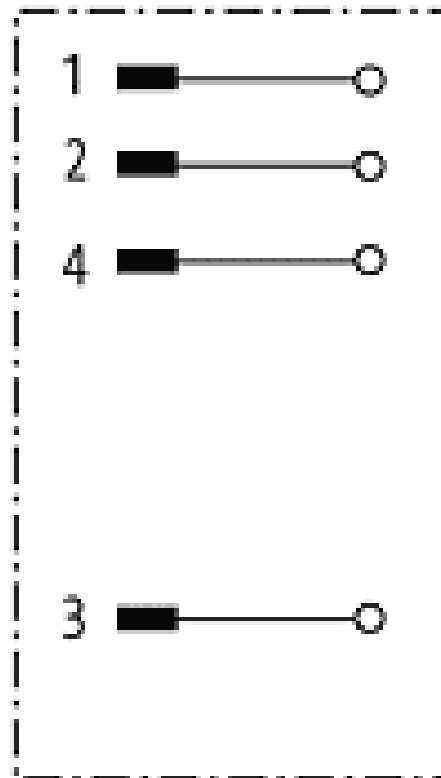
**Commercial data**

Net weight	8
Net weight	8
Weight unit	gram
Basic unit	pc.
Customs tariff number	85369010
Unit (piece)	1
Limited value	1

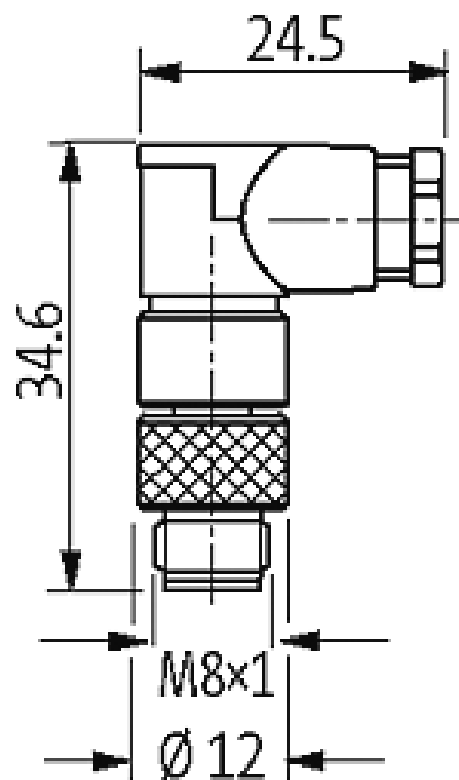
All data on this data sheet was compiled carefully.

Liability regarding correctness, completeness, and actuality is limited to gross negligence. Created: 06/12

## Circuit diagram



## Dimension drawing



Representante oficial de:



[Argentina – Uruguay – Paraguay – Bolivia – Colombia – y Perú.]



Calle 49 N° 5764 - Villa Ballester (B1653AOX) - Prov. de Buenos Aires - ARGENTINA  
Tel: (+54 11) 4768-4242 / Fax: (+54 11) 4849-1212  
Mail: [ventas@nakase.com.ar](mailto:ventas@nakase.com.ar) / Web: [www.nakase.com.ar](http://www.nakase.com.ar)

