

M8 male straight field-wireable (solder pins) Replaced Art.-No. 3827605

Male straight
3-pole
with solder pins
Connection diameter: max. 0.25 mm²

Image

Vicarious picture

Approvals**Form**

08401

Technical Data

Operating voltage	max. 60 V AC/DC
Operating current per contact (40 °C)	max. 4 A
Connection diameter	max. 0.25 mm ²
Clamping range (cable diameter)	3.5...5.0 mm
Protection	IP65 and IP67 when plugged and screwed down (EN 60529)
Temperature range	-25...+85 °C

Commercial data

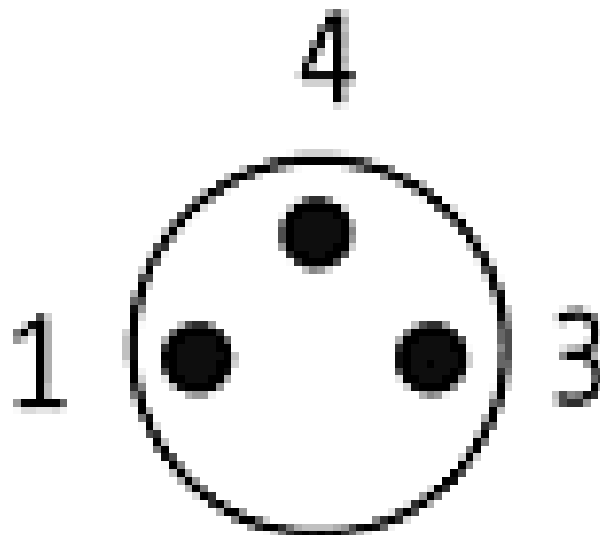
Net weight	1
Net weight	1
Weight unit	gram
Basic unit	pc.
Customs tariff number	85369010
Unit (piece)	1
Limited value	1

All data on this data sheet was compiled carefully.

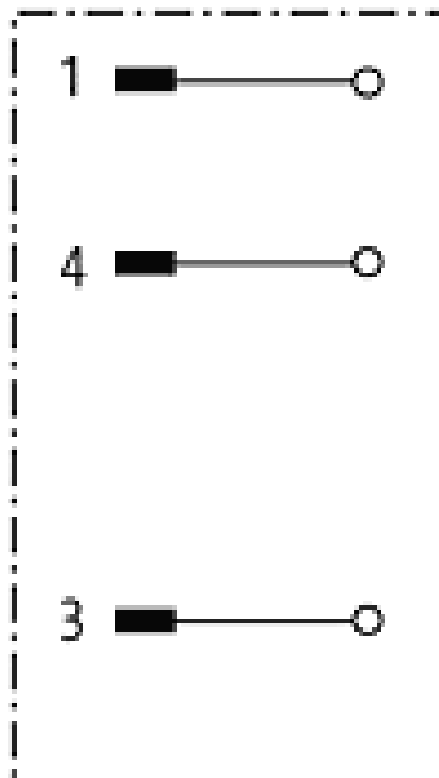
Liability regarding correctness, completeness, and actuality is limited to gross negligence. Created: 06/12

Contact layout

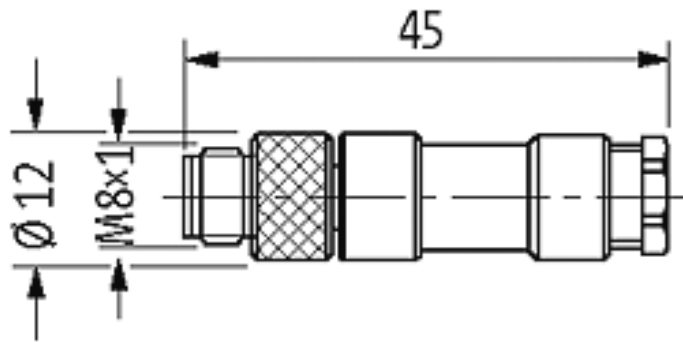
Male



Circuit diagram



Dimension drawing



Representante oficial de:



[Argentina – Uruguay – Paraguay – Bolivia – Colombia – y Perú.]



Calle 49 N° 5764 - Villa Ballester (B1653AOX) - Prov. de Buenos Aires - ARGENTINA
Tel: (+54 11) 4768-4242 / Fax: (+54 11) 4849-1212
Mail: ventas@nakase.com.ar / Web: www.nakase.com.ar

