

**MIRO SAFE Switch BA 24 VAC/DC - 2 N/O contact**

without start-button monitoring  
 2 N/O contacts  
 6 A  
 24 V AC/DC  
 Spring clamp plug-in terminals

**Image**

- Emergency-Stop and guard door applications  
 - Relays positively driven

Vicarious picture

**Approvals****Switching capacity according to (EN 60947)**

24 V	AC12;6 A	AC15;-	DC13; 3 A
110 V	AC12;6 A	AC15; 3 A	DC13; 0,22 A
230 V	AC12;6 A	AC15; 3 A	DC13; 0,1 A

**Technical Data**

Achievable safety category	to 3/Performance level d (EN ISO 13849-1)
Contact material	Ag Sn O2

**Input**

Input voltage	24 V AC/DC ±10 % approx. 70 mA
---------------	-----------------------------------

**Output**

Switching voltage	max. 250 V AC
Switching current	max. 6 A
Breaking capacity (voltage dependent)	max. 1500 VA (resist.)

**General data**

Mech./ elect. life	2 × 10 <sup>6</sup> /load dependent
Temperature range	-20...+55 °C (storage temperature -25...+75 °C)
Mounting method	DIN-rail mountable (EN 60715)
Dimensions H × W × D	110.5 × 22.5 × 114.5 mm

**Commercial data**

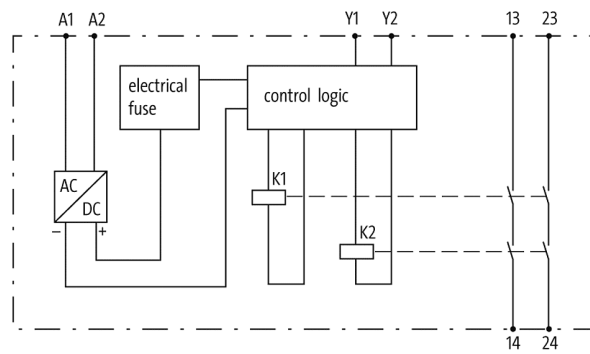
Net weight	171
Net weight	171
Weight unit	gram
Basic unit	pc.
Customs tariff number	85364900
Unit (piece)	1
Limited value	1

All data on this data sheet was compiled carefully.

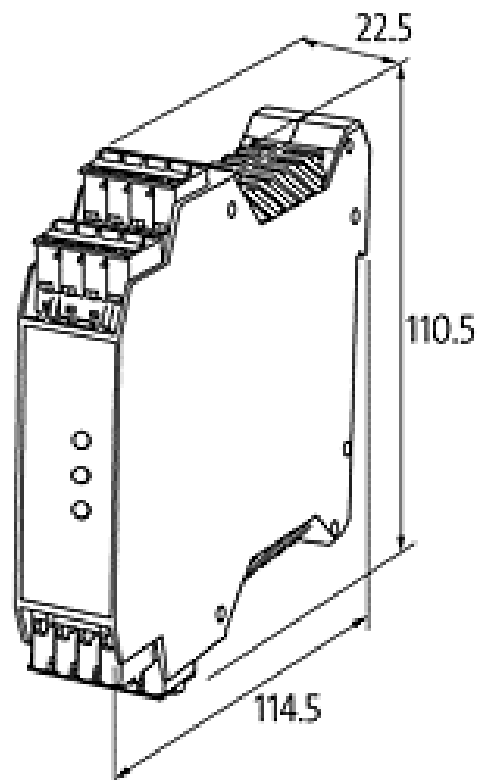
Liability regarding correctness, completeness, and actuality is limited to gross negligence. Created: 06/12

Accessories	Art.-No.
MIRO SAFE double spring clamp pluggable accessories	3000-33010-0000000
MIRO SAFE Label plate (Set 5St) accessories	3000-33030-0000000

## Circuit diagram



## Dimension drawing



Representante oficial de:



[Argentina – Uruguay – Paraguay – Bolivia – Colombia – y Perú.]



Calle 49 N° 5764 - Villa Ballester (B1653AOX) - Prov. de Buenos Aires - ARGENTINA  
Tel: (+54 11) 4768-4242 / Fax: (+54 11) 4849-1212  
Mail: [ventas@nakase.com.ar](mailto:ventas@nakase.com.ar) / Web: [www.nakase.com.ar](http://www.nakase.com.ar)

