

**MIRO SAFE Switch BCS 24 VAC/DC - 2 N/O contact**

with start-button monitoring  
 2 N/O contacts  
 6 A  
 24 V AC/DC  
 Spring clamp plug-in terminals

**Image**

- Emergency-Stop and guard door applications  
 - Relays positively driven

Vicarious picture

**Approvals****Switching capacity according to (EN 60947)**

|       |          |           |              |
|-------|----------|-----------|--------------|
| 24 V  | AC12;6 A | AC15;-    | DC13; 3 A    |
| 110 V | AC12;6 A | AC15; 3 A | DC13; 0,22 A |
| 230 V | AC12;6 A | AC15; 3 A | DC13; 0,1 A  |

**Technical Data**

|                            |   |
|----------------------------|---|
| Achievable safety category | to 3/Performance level d (EN ISO 13849-1) |
| Contact material           | Ag Sn O <sub>2</sub>                      |

**Input**

|               |                                   |
|---------------|-----------------------------------|
| Input voltage | 24 V AC/DC ±10 %<br>approx. 70 mA |
|---------------|-----------------------------------|

**Output**

|                                       |                        |
|---------------------------------------|------------------------|
| Switching voltage                     | max. 250 V AC          |
| Switching current                     | max. 6 A               |
| Breaking capacity (voltage dependent) | max. 1500 VA (resist.) |

**General data**

|                      |   |
|----------------------|---|
| Mech./ elect. life   | 2 × 10 <sup>6</sup> /load dependent             |
| Temperature range    | -20...+55 °C (storage temperature -25...+75 °C) |
| Mounting method      | DIN-rail mountable (EN 60715)                   |
| Dimensions H × W × D | 110.5 × 22.5 × 114.5 mm                         |

**Commercial data**

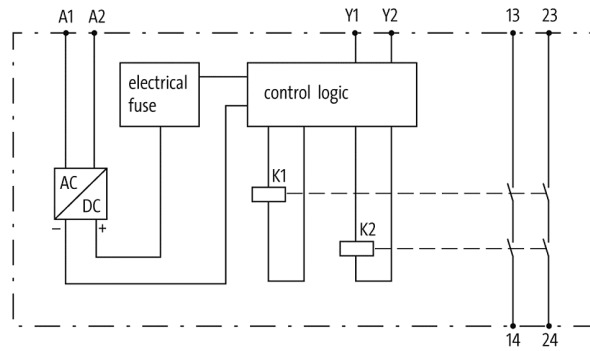
|                       |          |
|-----------------------|----------|
| Net weight            | 167      |
| Net weight            | 167      |
| Weight unit           | gram     |
| Basic unit            | pc.      |
| Customs tariff number | 85364900 |
| Unit (piece)          | 1        |
| Limited value         | 1        |

All data on this data sheet was compiled carefully.

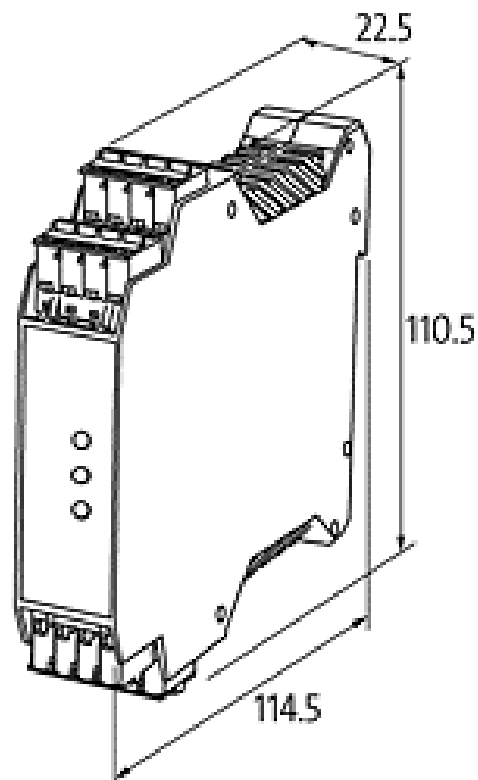
Liability regarding correctness, completeness, and actuality is limited to gross negligence. Created: 06/12

| Accessories   | Art.-No.           |
|---|--------------------|
| MIRO SAFE double spring clamp pluggable accessories | 3000-33010-0000000 |
| MIRO SAFE Label plate (Set 5St) accessories         | 3000-33030-0000000 |

## Circuit diagram



## Dimension drawing



Representante oficial de:



[Argentina – Uruguay – Paraguay – Bolivia – Colombia – y Perú.]



Calle 49 N° 5764 - Villa Ballester (B1653AOX) - Prov. de Buenos Aires - ARGENTINA  
Tel: (+54 11) 4768-4242 / Fax: (+54 11) 4849-1212  
Mail: [ventas@nakase.com.ar](mailto:ventas@nakase.com.ar) / Web: [www.nakase.com.ar](http://www.nakase.com.ar)

