

MIRO SAFE Hand 24 VAC/DC - 2 N/O contact / 1 N/C contact / 1 PLC output

2 N/O contacts/1 N/C contact//1 PLC output
6 A
24 V AC/DC
Spring clamp plug-in terminals

Image

- 2-hand control
- Relays positively driven

Vicarious picture

Approvals**Switching capacity according to (EN 60947)**

24 V	AC12;6 A	AC15; -	DC13; 3 A
110 V	AC12;6 A	AC15; 3 A	DC13; 0,22 A
230 V	AC12;6 A	AC15; 3 A	DC13; 0,1 A

Technical Data

Achievable safety category	to type IIIc (EN574)/to 4 (EN954-1)
Contact material	Ag Sn O2 hv

Input

Input voltage	24 V AC/DC $\pm 10\%$ approx. 85 mA
---------------	--

Output

Switching voltage	max. 250 V AC
Switching current	max. 6 A
Breaking capacity (voltage dependent)	max. 1500 VA (resist.)

General data

Temperature range	-20...+55 °C (storage temperature -25...+75 °C)
Mech./ elect. life	2×10^7 /load dependent
Mounting method	DIN-rail mountable (EN 60715)
Dimensions H x W x D	110.5 x 22.5 x 114.5 mm

Commercial data

Net weight	201
Net weight	201
Weight unit	gram
Basic unit	pc.
Customs tariff number	85364900
Unit (piece)	1
Limited value	1

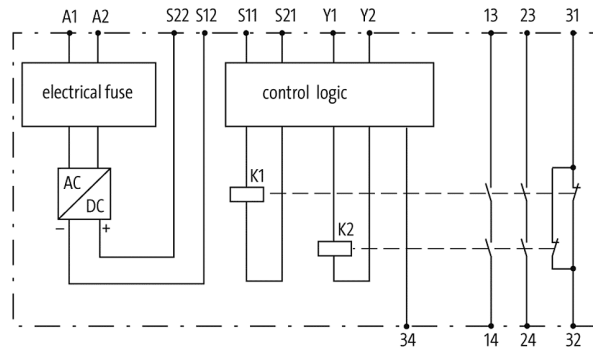
Accessories

	Art.-No.
MIRO SAFE double spring clamp pluggable accessories	3000-33010-0000000
MIRO SAFE Label plate (Set 5St) accessories	3000-33030-0000000

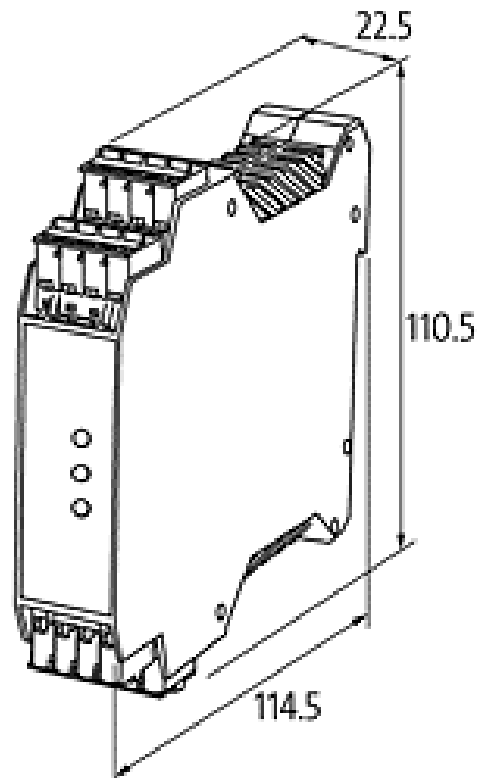
All data on this data sheet was compiled carefully.

Liability regarding correctness, completeness, and actuality is limited to gross negligence. Created: 06/12

Circuit diagram



Dimension drawing



Representante oficial de:



[Argentina – Uruguay – Paraguay – Bolivia – Colombia – y Perú.]



Calle 49 N° 5764 - Villa Ballester (B1653AOX) - Prov. de Buenos Aires - ARGENTINA
Tel: (+54 11) 4768-4242 / Fax: (+54 11) 4849-1212
Mail: ventas@nakase.com.ar / Web: www.nakase.com.ar

