

MIRO SAFE Flex 24 VDC - 2 N/O contact - 1 PLC output

2 N/O contacts/1 PLC output
6 A
Spring clamp plug-in terminals

Image

Vicarious picture

Technical Data

Achievable safety category	bis 4/PL e (EN ISO 13849-1)/(SIL3 (EN 62061))/(EN 574-1)
Contact material	Ag Cu Ni

Input

Input voltage	24 V DC -20/+25 %
	approx. 8 mA

Output

Switching voltage	max. 24 V DC
Switching current	max. 6 A
Breaking capacity (voltage dependent)	max. 1500 VA (resist.)

General data

Mech./ elect. life	1 × 10 ⁶ /load dependent
Temperature range	-25...+55 °C
Mounting method	DIN-rail mountable (EN 60715)
Dimensions H × W × D	110.5 x 22.5 x 114.5 mm

Commercial data

Net weight	120
Net weight	120
Weight unit	gram
Basic unit	pc.
Customs tariff number	85364900
Unit (piece)	1
Limited value	1

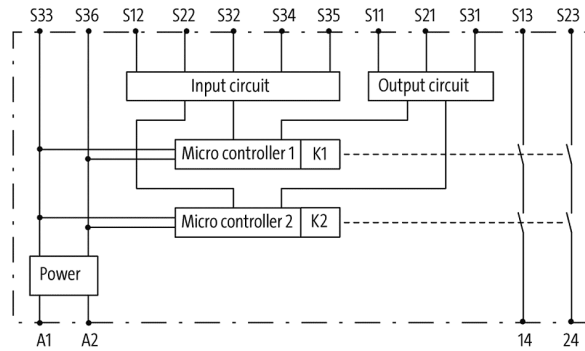
Accessories

MIRO SAFE double spring clamp pluggable accessories	Art.-No.	3000-33010-000000
MIRO SAFE Label plate (Set 5St) accessories		3000-33030-000000

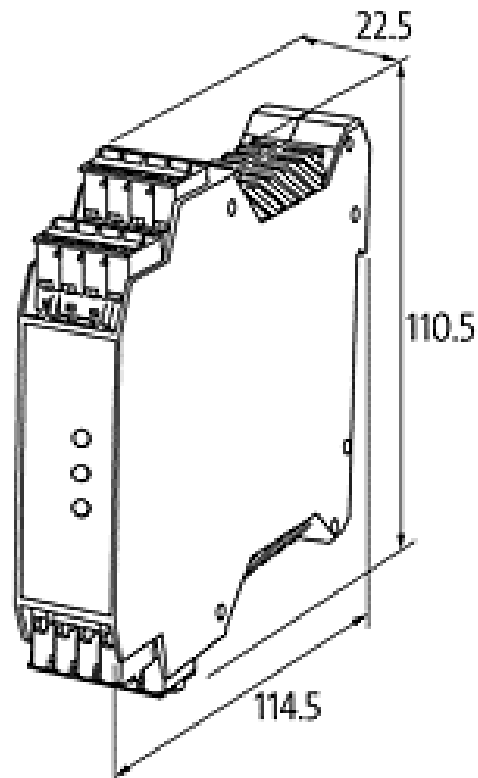
All data on this data sheet was compiled carefully.

Liability regarding correctness, completeness, and actuality is limited to gross negligence. Created: 06/12

Circuit diagram



Dimension drawing



Representante oficial de:



[Argentina – Uruguay – Paraguay – Bolivia – Colombia – y Perú.]



Calle 49 N° 5764 - Villa Ballester (B1653AOX) - Prov. de Buenos Aires - ARGENTINA
Tel: (+54 11) 4768-4242 / Fax: (+54 11) 4849-1212
Mail: ventas@nakase.com.ar / Web: www.nakase.com.ar

