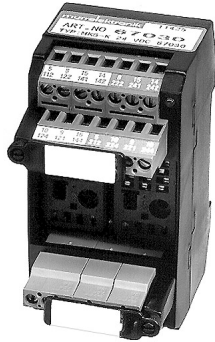


MKS - K 24/LED 24 Relay socket modules IN: 24 VDC - OUT: 125 VAC/DC / 2 A

for cradle relay
4 C/O contacts
24 V DC

Image


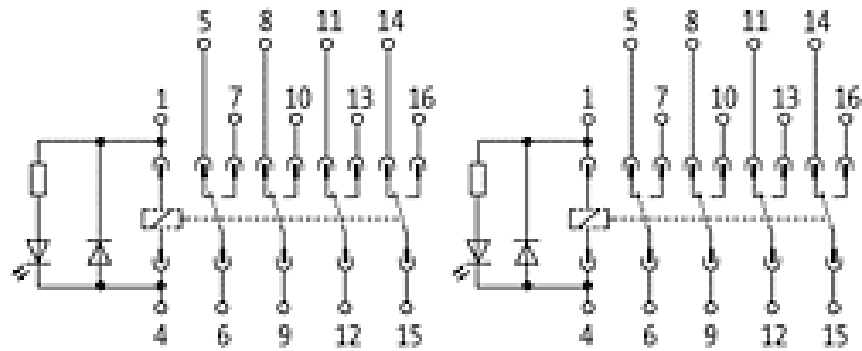
Vicarious picture

Technical Data		
Switching voltage	max. 125 V AC/150 V DC	
Switching current	max. 1,76A	
General data		
Connection	Screw terminals max. 4 mm ²	
Test isolation voltage	2.5 kV	
Mounting method	DIN-rail mountable (EN 60715)	
Dimensions H x W x D	85 x 45 x 64 mm	
Commercial data		
Net weight	122	
Net weight	122	
Weight unit	gram	
Basic unit	pc.	
Customs tariff number	85364900	
Unit (piece)	1	
Limited value	1	
Accessories		
	K 4-24 Plug-in relay IN: 24 VDC - OUT: 125 VAC/DC / 2 A	Art.-No. 61422
	Holding clip for cradle relay K 4 B	61428

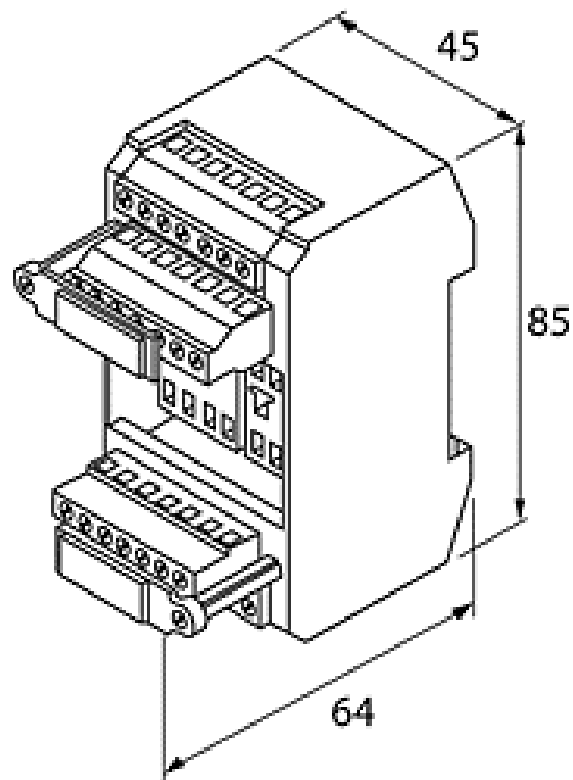
All data on this data sheet was compiled carefully.

Liability regarding correctness, completeness, and actuality is limited to gross negligence. Created: 06/12

Circuit diagram



Dimension drawing



Representante oficial de:



[Argentina – Uruguay – Paraguay – Bolivia – Colombia – y Perú.]



Calle 49 N° 5764 - Villa Ballester (B1653AOX) - Prov. de Buenos Aires - ARGENTINA
Tel: (+54 11) 4768-4242 / Fax: (+54 11) 4849-1212
Mail: ventas@nakase.com.ar / Web: www.nakase.com.ar

