

RTS-2FI Relay socket modules IN: 250 VAC/DC / 250 VAC/DC / 10 A

for plug relays
1 or 2 C/O contacts
max. 250 V AC

Image

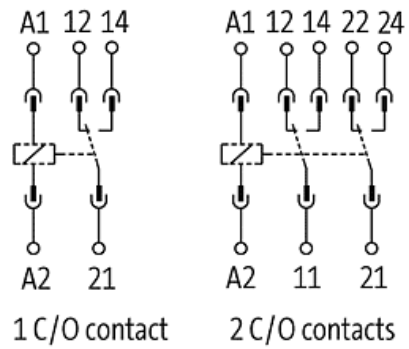
Vicarious picture

| Technical Data | |
|--|---|
| Additional suppressor | plug-in suppressor module MRE |
| Type | for plug relays MRS |
| Switching voltage | max. 250 V AC |
| Switching current | max. 16 A |
| General data | |
| Standards | touch protected (VGB 4) and (VDE 0106) part 100 and 101 |
| Test isolation voltage | 5 kV |
| Connection | Screw terminals max. 4 mm ² |
| Mounting method | DIN-rail mountable (EN 60715) |
| Dimensions H × W × D | 75 x 15.5 x 42.5 mm |
| Commercial data | |
| Net weight | 38 |
| Net weight | 38 |
| Weight unit | gram |
| Basic unit | pc. |
| Customs tariff number | 85366990 |
| Unit (piece) | 1 |
| Limited value | 1 |
| Accessories | |
| | Art.-No. |
| MRB Suppressor 24VDC 6 ... 24 V/DC | 61340 |
| MRB Suppressor 110...230VDC 110 ... 230 VAC/DC | 61342 |
| Relay 24V DC IN: 24 VDC - OUT: 250 VAC/DC / 16 A | 61352 |
| Relay 24VAC IN: 24 VAC - OUT: 250 VAC / 16 A | 61354 |
| Relay 110V AC IN: 110 VAC - OUT: 250 VAC/DC / 16 A | 61356 |
| Relais 230V AC-1U IN: 230 VAC - OUT: 250 VAC/ 16 A | 61358 |
| Relay 24V DC IN: 24 VDC - OUT: 250 VAC/DC / 8 A | 61353 |
| Relay 24V AC IN: 24 VAC - OUT: 250 VAC / 8 A | 61355 |
| Relay 110V AC IN: 110 VAC - OUT: 250 VAC/DC / 8 A | 61357 |
| Relais 230V AC-2U IN: 230 VAC - OUT: 250 VAC/ 8 A | 61359 |

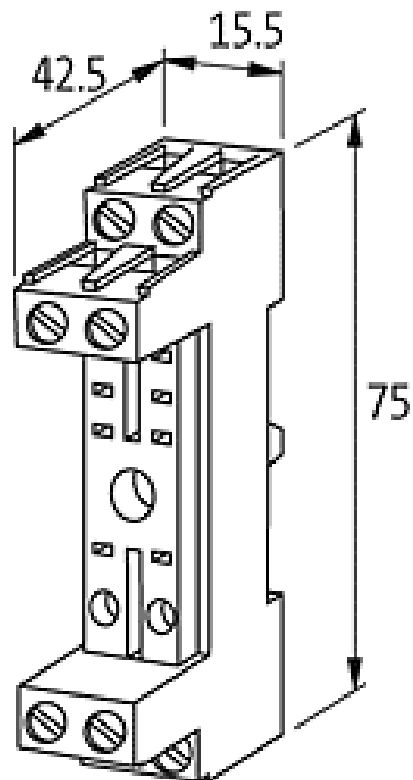
All data on this data sheet was compiled carefully.

Liability regarding correctness, completeness, and actuality is limited to gross negligence. Created: 06/12

Circuit diagram



Dimension drawing



Representante oficial de:



[Argentina – Uruguay – Paraguay – Bolivia – Colombia – y Perú.]



Calle 49 N° 5764 - Villa Ballester (B1653AOX) - Prov. de Buenos Aires - ARGENTINA
Tel: (+54 11) 4768-4242 / Fax: (+54 11) 4849-1212
Mail: ventas@nakase.com.ar / Web: www.nakase.com.ar

