

MIRO 6,2 pluggable receptacle 125V IN: 125 VAC/DC - OUT: 250 VAC/DC / 6 A

Input voltage  
125 V AC/DC

## Image



Vicarious picture

## Approvals



## Technical Data

Switching voltage	max. 250 V AC/DC
Switching current	max. 6 A
Connection	Spring clamp terminals
Connection diameter	max. 1 × 2.5 mm <sup>2</sup> (AWG 14)

## General data

Temperature range	-5...+70 °C
Mounting method	DIN-rail mountable (EN 60715)
Dimensions H × W × D	93 x 6.2 x 75.6 mm

## Commercial data

Net weight	27
Net weight	27
Weight unit	gram
Basic unit	pc.
Customs tariff number	85366990
Unit (piece)	1
Limited value	1

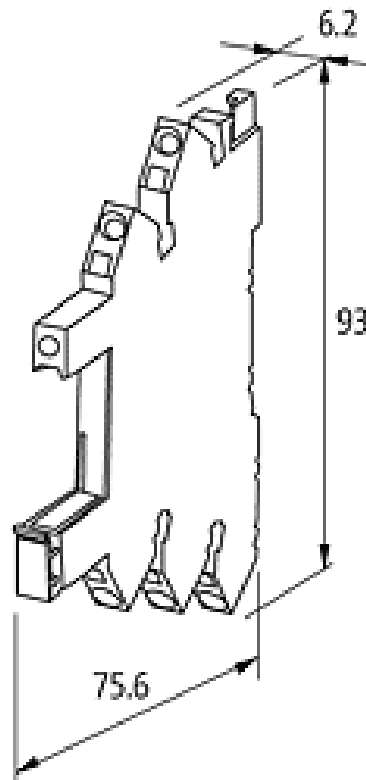
## Accessories

		Art.-No.
	Cradle plug link "MIRO; blue; 250V/36A	" 3000-90000-0300010
	Cradle plug link "MIRO; black; 250V/36A	" 3000-90000-0300020

All data on this data sheet was compiled carefully.

Liability regarding correctness, completeness, and actuality is limited to gross negligence. Created: 06/12

Dimension drawing



Representante oficial de:



[Argentina – Uruguay – Paraguay – Bolivia – Colombia – y Perú.]



Calle 49 N° 5764 - Villa Ballester (B1653AOX) - Prov. de Buenos Aires - ARGENTINA  
Tel: (+54 11) 4768-4242 / Fax: (+54 11) 4849-1212  
Mail: [ventas@nakase.com.ar](mailto:ventas@nakase.com.ar) / Web: [www.nakase.com.ar](http://www.nakase.com.ar)

