

MIRO TR 70-130VAC/DC SK Opto-coupler module IN: 130 VAC/DC - OUT: 48 VDC / 0,5 A

Transistor 0.5 A  
110 V AC/DC  
Screw terminals

## Image



Vicarious picture

## Approvals



## Input

LED display	LED (yellow)
Voltage range OFF	0...30 V AC/DC
Voltage range ON	70...130 V AC/DC
Control current	6 mA

## Output

Switching voltage	5...48 V DC
Switching current	0.1 mA...0.5 A
Saturation voltage (across output)	<= 1.2 V DC
Leakage current (when output is open)	<= 0.3 mA
Switching time ON/OFF	100/700 $\mu$ s
Switching frequency	max. 500/30 Hz (resist./ind.)

## General data

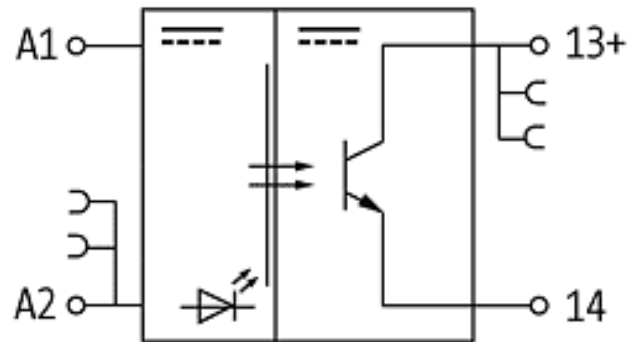
Test isolation voltage	3.75 kV
Temperature range	-20...+60 °C
Housing	Plastic black, flame retardant
Mounting method	DIN-rail mountable (EN 60715)
Dimensions H x W x D	78 x 6.2 x 65 mm

All data on this data sheet was compiled carefully.

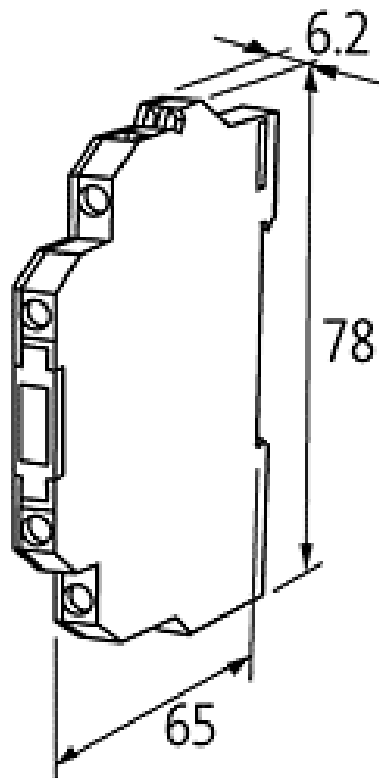
Liability regarding correctness, completeness, and actuality is limited to gross negligence. Created: 06/12

<b>Commercial data</b>	
Net weight	25
Net weight	25
Weight unit	gram
Basic unit	pc.
Customs tariff number	85414090
Unit (piece)	1
Limited value	1
<b>Accessories</b>	<b>Art.-No.</b>
Wiring accessorie plug link	90961
Wiring accessorie red spacing 6,2 mm	90976
Wiring accessorie blue spacing 6,2 mm	90975
Wiring accessorie end cap red	90982
Wiring accessorie end cap blue	90980
Wiring accessorie 16 pole cross-section: 1 mm <sup>2</sup>	90977
Control systems Label plate Miro	90901

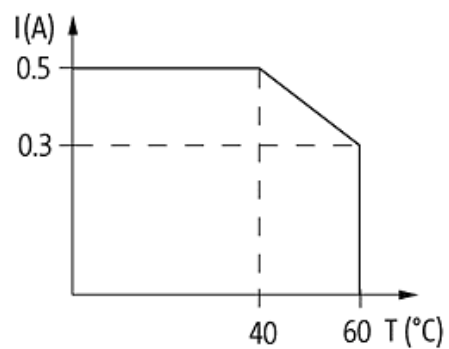
## Circuit diagram



## Dimension drawing



## De-rating curve



Representante oficial de:



[Argentina – Uruguay – Paraguay – Bolivia – Colombia – y Perú.]



Calle 49 N° 5764 - Villa Ballester (B1653AOX) - Prov. de Buenos Aires - ARGENTINA  
Tel: (+54 11) 4768-4242 / Fax: (+54 11) 4849-1212  
Mail: [ventas@nakase.com.ar](mailto:ventas@nakase.com.ar) / Web: [www.nakase.com.ar](http://www.nakase.com.ar)

