

**Modlink MSDD Front panel interface Frame modul single**

Frame: metal, matte nickel plated

Lid: plastic, transparent

**Image**

Vicarious picture

**General data**

Shielded	yes, only with shielded inserts
Protection	IP65
Temperature range	-10...+60 °C (storage temperature -25...+60 °C)
Housing	zinc die-casting, with surface finishing
suitable for mounting with wall thickness	1...5 mm
outer dimensions H × W × D	120 × 66 × 32...62 mm (element dependent)

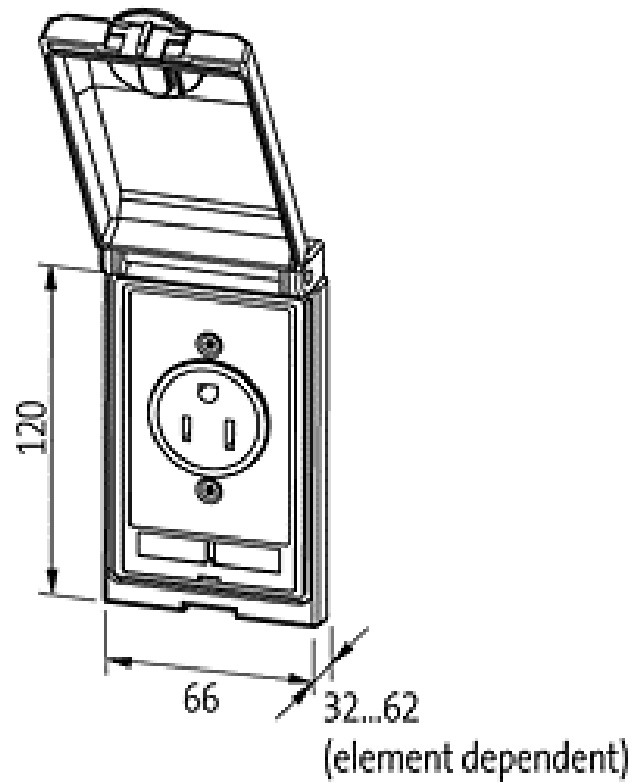
**Commercial data**

Net weight	175
Net weight	175
Weight unit	gram
Basic unit	pc.
Customs tariff number	85389099
Unit (piece)	1
Limited value	1

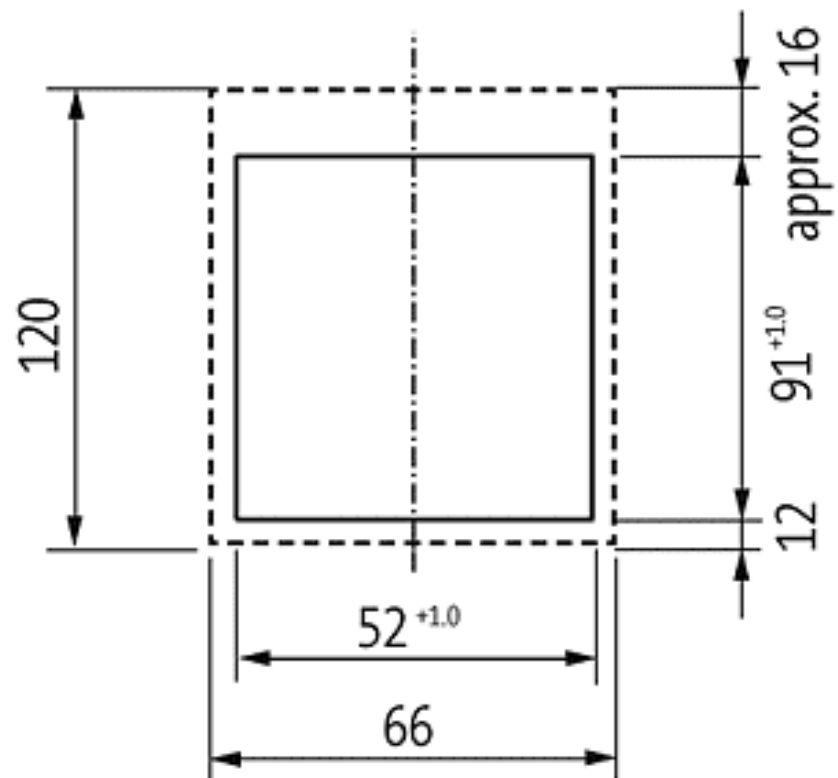
All data on this data sheet was compiled carefully.

Liability regarding correctness, completeness, and actuality is limited to gross negligence. Created: 06/12

## Dimension drawing



## Control cabinet cut-out



Representante oficial de:



[Argentina – Uruguay – Paraguay – Bolivia – Colombia – y Perú.]



Calle 49 N° 5764 - Villa Ballester (B1653AOX) - Prov. de Buenos Aires - ARGENTINA  
Tel: (+54 11) 4768-4242 / Fax: (+54 11) 4849-1212  
Mail: [ventas@nakase.com.ar](mailto:ventas@nakase.com.ar) / Web: [www.nakase.com.ar](http://www.nakase.com.ar)

