

Hybrid field-bus couplers MHA-BBE-E - 2 x M12

M12, M12 (female/female) B-coded; RS485 (SUB-D9)

Image

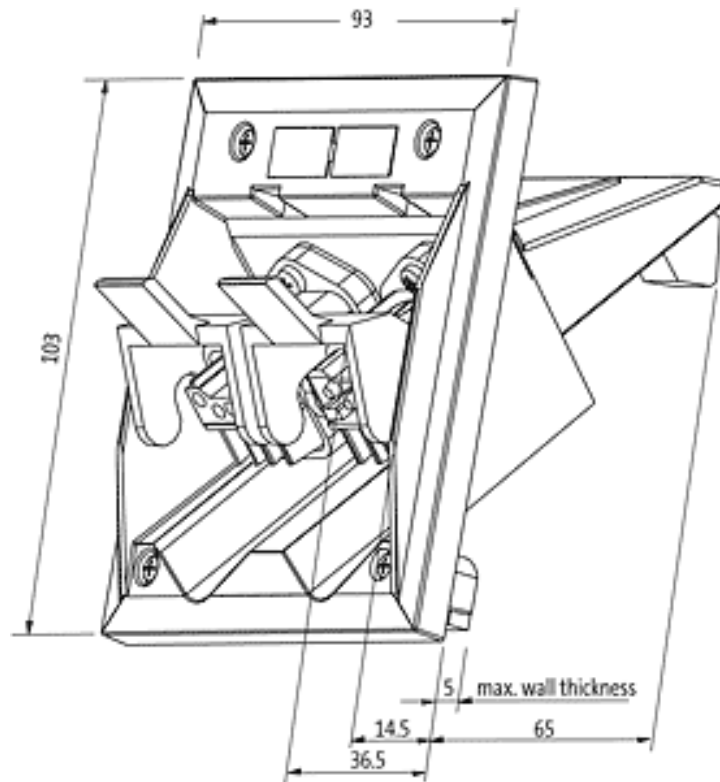
Vicarious picture

Technical Data	
Operating voltage	24 V DC
Shielded	no
Transfer rate	to 12 Mbit/s
Field Bus Coupling (IP67)	2 x M12 (female), B-coded
Connection	Spring clamp terminals, 0.25 mm ² single core, 2.5 mm ² stranded
General data	
Housing	Plastic black, flame retardant
Temperature range	-25...+50 °C
Cut-out	H x W: 90 x 80 mm
Dimensions H x W x D	103 x 93 x 65 mm
Commercial data	
Net weight	190
Net weight	190
Weight unit	gram
Basic unit	pc.
Customs tariff number	85369010
Unit (piece)	1
Limited value	1

All data on this data sheet was compiled carefully.

Liability regarding correctness, completeness, and actuality is limited to gross negligence. Created: 06/12

Dimension drawing



Representante oficial de:



[Argentina – Uruguay – Paraguay – Bolivia – Colombia – y Perú.]



Calle 49 N° 5764 - Villa Ballester (B1653AOX) - Prov. de Buenos Aires - ARGENTINA
Tel: (+54 11) 4768-4242 / Fax: (+54 11) 4849-1212
Mail: ventas@nakase.com.ar / Web: www.nakase.com.ar

