

**Emparro 10-100-240/12**

INPUT: 85...265 V AC/90...250 V DC

OUTPUT: 12...15 V DC

Current: 10 A

**Image**

- stable output voltage, (short-circuit and overload protected)
- Wide voltage input
- Protection IP20

Vicarious picture

**Input**

Input voltage	85...265 V AC/90...250 V DC
Input current	1.3 A (100 V AC); 0.61 A (240 V AC)
Inrush current after 1 ms	max. 10 A (230 V AC)
Power factor	0.88 (230 V AC)
External fuse	max. 20 A (T)
Frequency	50/60 Hz

**Output**

Output voltage	12 V DC (SELV), $\pm 1\%$ ; 12...15 V adjustable
Powerboost	+150 % (min. 4 sec.)
Constant current	11.1 A
Hold up time	min. 20 ms (230 V AC); 15 A (12 V DC)
Ripple	max. 50 mV rms
Spikes	max. 200 mV p-p
Short-circuit and overload protection	yes
LED display	LED (green): OK; LED (red): overload, overheating or short-circuit
Parallel usage/serial usage	max.5 units

**General data**

Standards	(EN 60950-1), (EN 61204-3), (EN 55011 B), (EN 61000-3-2)
Temperature range	-25...+60 °C (storage temperature -40...+85 °C)
Relative humidity	5...95 %, no condensation
Efficiency	91.9 % (230 V AC)
Mounting method	DIN-rail mountable TH35 (EN 60715)

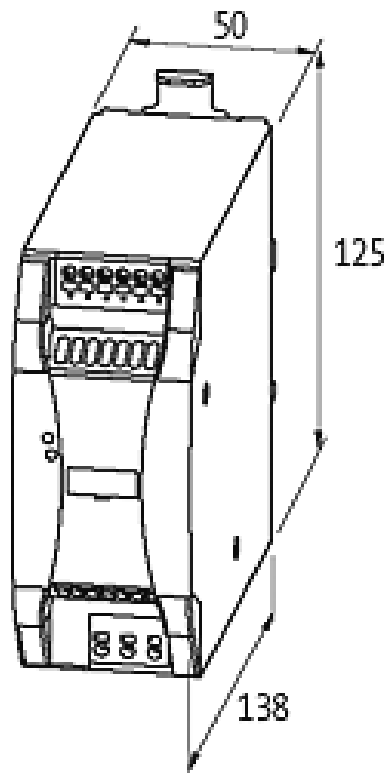
**Commercial data**

Net weight	660
Weight unit	gram
Basic unit	pc.
Customs tariff number	85044090
Unit (piece)	1
Limited value	1

All data on this data sheet was compiled carefully.

Liability regarding correctness, completeness, and actuality is limited to gross negligence. Created: 05/13

Dimension drawing



Representante oficial de:



[Argentina – Uruguay – Paraguay – Bolivia – Colombia – y Perú.]



Calle 49 N° 5764 - Villa Ballester (B1653AOX) - Prov. de Buenos Aires - ARGENTINA  
Tel: (+54 11) 4768-4242 / Fax: (+54 11) 4849-1212  
Mail: [ventas@nakase.com.ar](mailto:ventas@nakase.com.ar) / Web: [www.nakase.com.ar](http://www.nakase.com.ar)

