

**MPS Power supply 1-phase, primary switched IN: 90-265VAC OUT: 24V/5ADC**

INPUT: 90...265 V AC

OUTPUT: 24 V DC

Current: 5 A

**Image**

- Single-phase, primary switched
- stable output voltage, short-circuit and overload protected
- Wide voltage input
- touch protected (EN 60529) IP20

Vicarious picture

**Approvals****Input**

Input voltage	90...265 V AC
Input current	1.9 A (115 V AC); 0.95 A (230 V AC)
Inrush current after 1 ms	<= 10 A
Primary fusing	max. 10 A
Frequency	50/60 Hz

**Output**

Output voltage	24 V DC (SELV), +3/-1 %
Output current	5 A (+60 °C); 6 A (+40 °C)
	85 %
Mains failure bridging	>= 10 ms (115 V AC); >= 80 ms (230 V AC)
Ripple	<= 20 mV rms
Spikes	<= 100 mV p-p
Protection	short-circuit and overload protected, automatic re-start U < 8 V
LED display	LED (green) at output voltage >= 22 V DC
Parallel usage/serial usage	no/yes

**General data**

Standards	(EN 60950-1), (EN 61204-3), (EN 55022 B)
Temperature range	0...+60 °C (storage temperature -25...+85 °C)
Relative humidity	5...95 %, no condensation
Mounting method	DIN-rail mountable TH35 (EN 60715), additional plate for screw mounting Art.-No. 89500
Dimensions H x W x D	132 x 110 x 72 mm

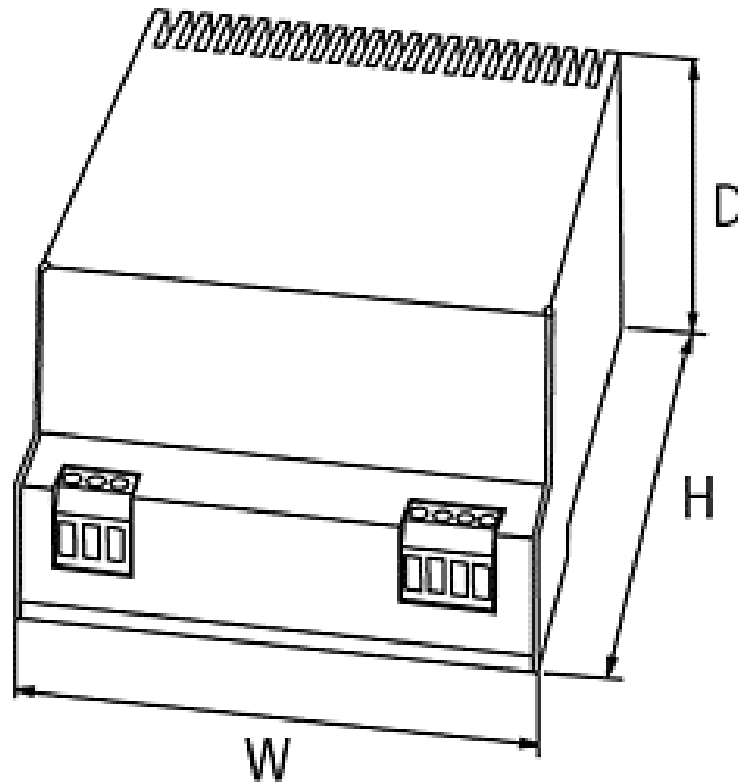
**Commercial data**

Net weight	880
Net weight	880
Weight unit	gram
Basic unit	pc.
Customs tariff number	85044090
Unit (piece)	1
Limited value	1

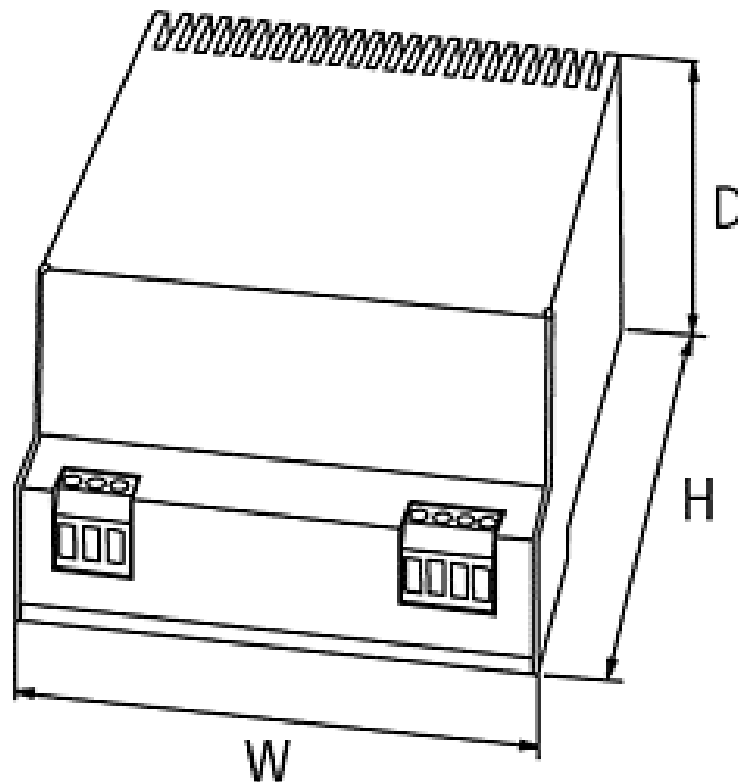
All data on this data sheet was compiled carefully.

Liability regarding correctness, completeness, and actuality is limited to gross negligence. Created: 06/12

Circuit diagram



Dimension drawing



Representante oficial de:



[Argentina – Uruguay – Paraguay – Bolivia – Colombia – y Perú.]



Calle 49 N° 5764 - Villa Ballester (B1653AOX) - Prov. de Buenos Aires - ARGENTINA  
Tel: (+54 11) 4768-4242 / Fax: (+54 11) 4849-1212  
Mail: [ventas@nakase.com.ar](mailto:ventas@nakase.com.ar) / Web: [www.nakase.com.ar](http://www.nakase.com.ar)

