

MCS Power supply 3-phase, primary switched IN: 360-550VAC OUT: 24-28V/10ADC

INPUT: 3 × 360...550 V AC

OUTPUT: 24...28 V DC

Current: 10 A

Image

- 3-phase, primary switched
- stable output voltage, short-circuit and overload protected
- Wide voltage input
- touch protected (EN 60529) IP20

Vicarious picture

Approvals**Input**

Voltage range	3 × 360...550 V AC
Input current	3 × 0.65 A
Inrush current after 1 ms	<= 15 A
Primary fusing	max. 3 × 2 A
Frequency	50/60 Hz

Output

Output voltage	24 V DC (SELV), ±1 %; 24...28 V adjustable
Output current	10 A (+60 °C); 12 A (+40 °C)
	90 %
Mains failure bridging	>= 11 ms (500 V AC)
Ripple	<= 20 mV rms
Spikes	<= 100 mV p-p
Protection	Short-circuit and overload protected
LED display	LED (green) for output voltage
Selectable switch-off mode	front sided plug link (automatic re-start or definite shut-off)
Parallel usage/ serial usage	max. 5 units/max. 2 units

General data

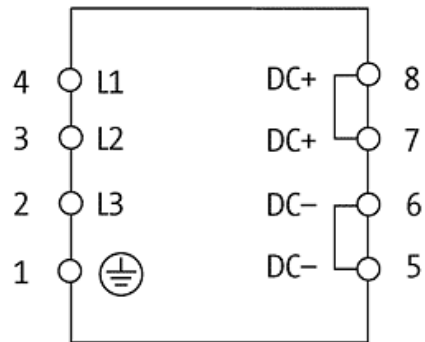
Standards	(EN 60950-1), (EN 61204-3), (EN 55022 B)
Temperature range	0...+60 °C (storage temperature -25...+85 °C)
Relative humidity	5...95 %, no condensation
Mounting method	DIN-rail mountable TH35 (EN 60715)
Dimensions H × W × D × Da	127 x 68 x 178 x 20 mm

All data on this data sheet was compiled carefully.

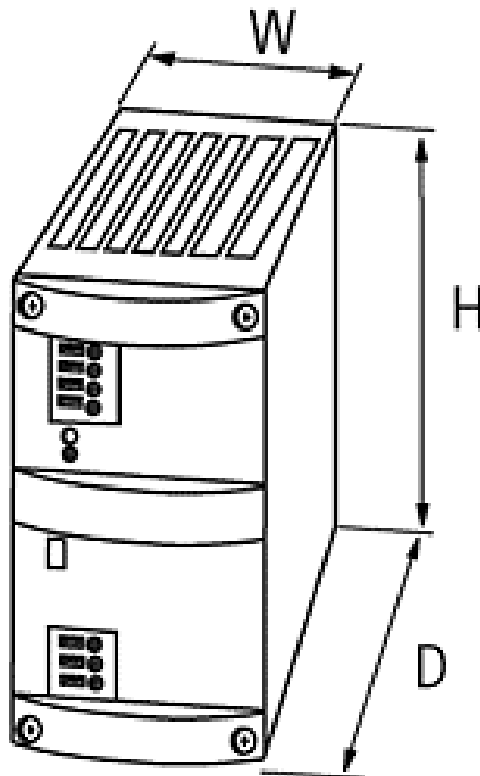
Liability regarding correctness, completeness, and actuality is limited to gross negligence. Created: 06/12

Commercial data	
Net weight	1300
Net weight	1300
Weight unit	gram
Basic unit	pc.
Customs tariff number	85044090
Unit (piece)	1
Limited value	1
Accessories	Art.-No.
Accessory for MCS Plate for screw mounting	89514
Comments	
This switch mode power supplies meet the (EN 61000-3-2) standard for harmonic current.	

Circuit diagram



Dimension drawing



Representante oficial de:



[Argentina – Uruguay – Paraguay – Bolivia – Colombia – y Perú.]



Calle 49 N° 5764 - Villa Ballester (B1653AOX) - Prov. de Buenos Aires - ARGENTINA
Tel: (+54 11) 4768-4242 / Fax: (+54 11) 4849-1212
Mail: ventas@nakase.com.ar / Web: www.nakase.com.ar

