

**MCS Power supply 1-phase, primary switched IN: 90-265VAC OUT: 24-28V/20ADC**

INPUT: 90...265 V AC  
 OUTPUT: 24...28 V DC  
 Current: 20 A  
 with PFC

**Image**

- stable output voltage, short-circuit and overload protected
- Wide voltage input
- touch protected (EN 60529) IP20

Vicarious picture

**Approvals****Input**

Voltage range	90...265 V AC; 110...300 V DC
Operating current	5.5 A (100 V AC)/2.4 A (230 V AC)
Inrush current after 1 ms	<= 30 A
Primary fusing	max. 16 A
Frequency	50/60 Hz

**Output**

Output voltage	24 V DC (SELV), $\pm 1\%$ ; 24...28 V adjustable
Output current	20 A (+60 °C); 24 A (+40 °C, 110...265 V AC) 84 % (115 V AC); 87 % (230 V AC)
Mains failure bridging	>= 18 ms (230 V AC)
Ripple	<= 20 mV rms
Spikes	<= 250 mV p-p
Protection	Short-circuit and overload protected
LED display	LED (green) for output voltage
Selectable switch-off mode	front sided plug link (automatic re-start or definite shut-off)
Parallel usage/serial usage	max. 5 units/max. 2 units

**General data**

Standards	(EN 60950-1), (EN 61204-3), (EN 55022 B), (EN 61000-3-2)
Mounting method	Screw fixing M4, 4 pcs. in rectangle 60 x 197 mm
Relative humidity	5...95 %, no condensation
Temperature range	0...+60 °C (storage temperature -25...+85 °C)
Dimensions H x W x D	209 x 84 x 233 mm

**Commercial data**

Net weight	2700
Net weight	2700
Weight unit	gram
Basic unit	pc.
Customs tariff number	85044090
Unit (piece)	1
Limited value	1

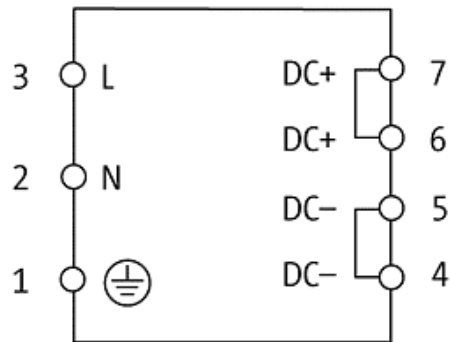
**Comments**

This switch mode power supplies meet the (EN 61000-3-2) standard for harmonic current.

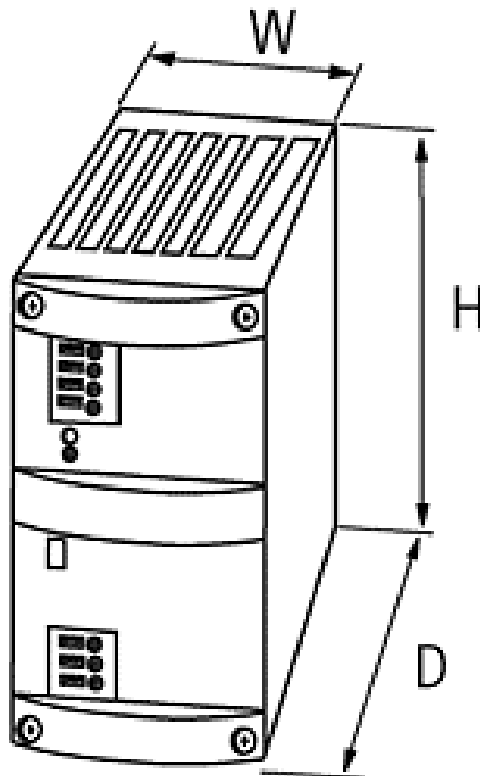
All data on this data sheet was compiled carefully.

Liability regarding correctness, completeness, and actuality is limited to gross negligence. Created: 06/12

## Circuit diagram



## Dimension drawing



Representante oficial de:



[Argentina – Uruguay – Paraguay – Bolivia – Colombia – y Perú.]



Calle 49 N° 5764 - Villa Ballester (B1653AOX) - Prov. de Buenos Aires - ARGENTINA  
Tel: (+54 11) 4768-4242 / Fax: (+54 11) 4849-1212  
Mail: [ventas@nakase.com.ar](mailto:ventas@nakase.com.ar) / Web: [www.nakase.com.ar](http://www.nakase.com.ar)

