

**MCS Power supply 1-phase, primary switched IN: 90-265VAC OUT: 24-28V/10ADC**

INPUT: 90...265 V AC  
 OUTPUT: 24...28 V DC  
 Current: 10 A  
 with PFC

**Image**

- stable output voltage, short-circuit and overload protected
- Wide voltage input
- touch protected (EN 60529) IP20

Vicarious picture

**Approvals****Input**

Voltage range	90...265 V AC; 90...250 V DC
Input current	2.7 A (100 V AC); 1.1 A (230 V AC)
Inrush current after 1 ms	<= 25 A
Primary fusing	max. 10 A
Frequency	50/60 Hz

**Output**

Output voltage	24 V DC (SELV), $\pm 1\%$ ; 24...28 V adjustable
Output current	10 A (+60 °C, 90...265 V AC); 12 A (+40 °C, 110...265 V AC) 88 % (115 V AC); 90 % (230 V AC)
Mains failure bridging	>= 15 ms (230 V AC)
Ripple	<= 20 mV rms
Spikes	<= 200 mV p-p
Protection	Short-circuit and overload protected
LED display	LED (green) for output voltage
Selectable switch-off mode	front sided plug link (automatic re-start or definite shut-off)
Parallel usage/serial usage	max. 5 units/max. 2 units

**General data**

Standards	(EN 60950-1), (EN 61204-3), (EN 55022 B), (EN 61000-3-2)
Mounting method	DIN-rail mountable TH35 (EN 60715)
Relative humidity	5...95 %, no condensation
Temperature range	0...+60 °C (storage temperature -25...+85 °C)
Dimensions H x W x D	127 x 68 x 204 mm

**Commercial data**

Net weight	1500
Net weight	1500
Weight unit	gram
Basic unit	pc.
Customs tariff number	85044090
Unit (piece)	1
Limited value	1

**Accessories**

Accessory for MCS Plate for screw mounting

**Art.-No.**

89514

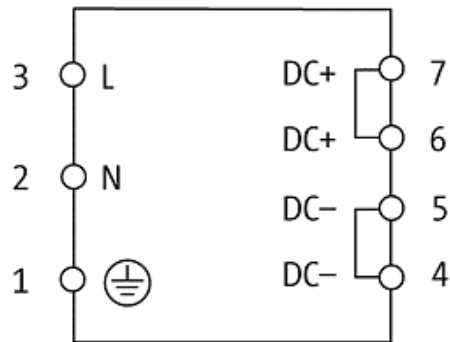
All data on this data sheet was compiled carefully.

Liability regarding correctness, completeness, and actuality is limited to gross negligence. Created: 06/12

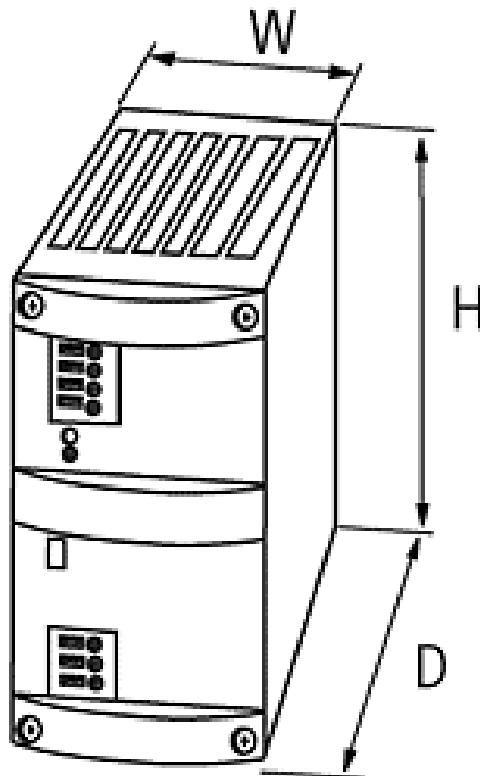
**Comments**

This switch mode power supplies meet the (EN 61000-3-2) standard for harmonic current.

## Circuit diagram



## Dimension drawing



Representante oficial de:



[Argentina – Uruguay – Paraguay – Bolivia – Colombia – y Perú.]



Calle 49 N° 5764 - Villa Ballester (B1653AOX) - Prov. de Buenos Aires - ARGENTINA  
Tel: (+54 11) 4768-4242 / Fax: (+54 11) 4849-1212  
Mail: [ventas@nakase.com.ar](mailto:ventas@nakase.com.ar) / Web: [www.nakase.com.ar](http://www.nakase.com.ar)

