

**Evolution Power supply 3-phase, primary switched IN: 360-520VAC OUT: 22-28V/5ADC**

OUTPUT: 22...28 V DC

INPUT: 360...520 V AC / 480...745 V DC

Current: 5 A

**Image**

- stable output voltage, short-circuit and overload protected
- Wide voltage input
- touch protected (EN 60529) IP20

Vicarious picture

**Approvals****Input**

Voltage range	3 × 324...572 V AC/480...745 V DC
Input current	3 × 0,3 A
Inrush current after 1 ms	<= 10 A
Primary fusing	max. 3 × 10 A
Frequency	50/60 Hz

**Output**

Output voltage	24 V DC (SELV), ±1 %; 22...28 V adjustable
Output current	5 A (+55 °C); 3 A (+70 °C)
Powerboost	+50 % (>= 4 sec.) 86 %
Mains failure bridging	>= 30 ms (400 V AC)
Ripple	<= 50 mV rms
Spikes	<= 100 mV p-p
Protection	Short-circuit and overload protected
LED display	LED (green): OK; LED (red): overload
Parallel usage/serial usage	yes/yes

**General data**

Standards	(EN 60950-1), (EN 61204-3), (EN 55022 B), (EN 61000-3-2)
Temperature range	-25...+60 °C (storage temperature -40...+85 °C)
Relative humidity	5...95 %, no condensation
Mounting method	DIN-rail mountable TH35 (EN 60715)
Dimensions H × W × D	132 x 83 x 98 mm

**Commercial data**

Net weight	1000
Net weight	1000
Weight unit	gram
Basic unit	pc.
Customs tariff number	85044090
Unit (piece)	1
Limited value	1

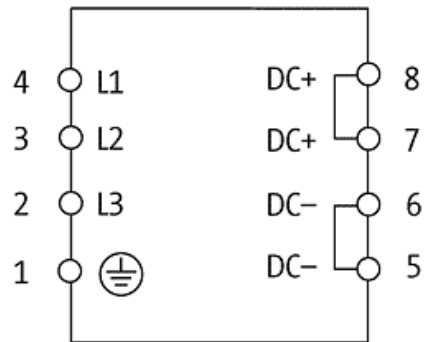
**Comments**

This switch mode power supplies meet the (EN 61000-3-2) standard for harmonic current.

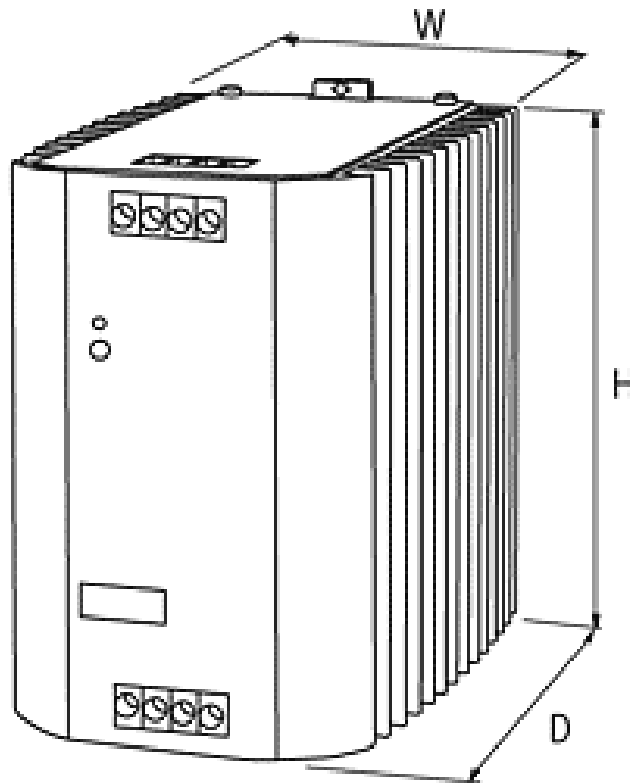
All data on this data sheet was compiled carefully.

Liability regarding correctness, completeness, and actuality is limited to gross negligence. Created: 06/12

## Circuit diagram



## Dimension drawing



Representante oficial de:



[Argentina – Uruguay – Paraguay – Bolivia – Colombia – y Perú.]



Calle 49 N° 5764 - Villa Ballester (B1653AOX) - Prov. de Buenos Aires - ARGENTINA  
Tel: (+54 11) 4768-4242 / Fax: (+54 11) 4849-1212  
Mail: [ventas@nakase.com.ar](mailto:ventas@nakase.com.ar) / Web: [www.nakase.com.ar](http://www.nakase.com.ar)

